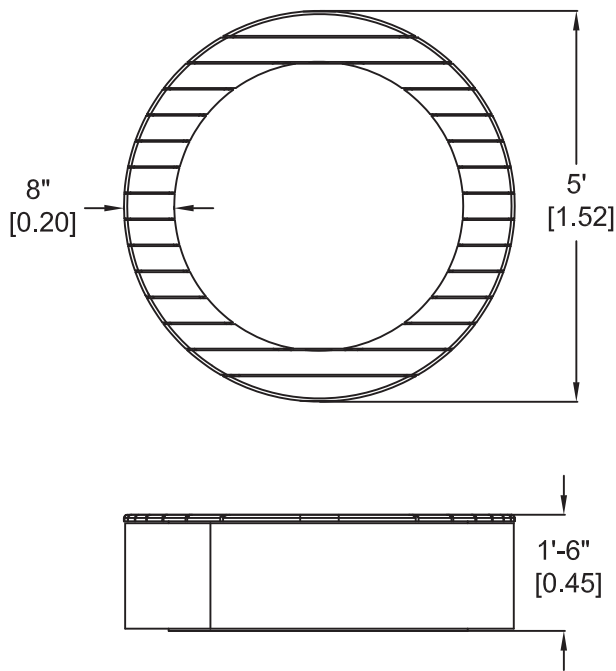


Round Bench - Plantation

EP-UFS-BRND006



CARACTÉRISTIQUES

Diameter : 5' (1.52m)
 Depth - bench : 8" (0.20m)
 Plantation box made of fabric, 1'-6" (0.45m) depth

MATERIALS

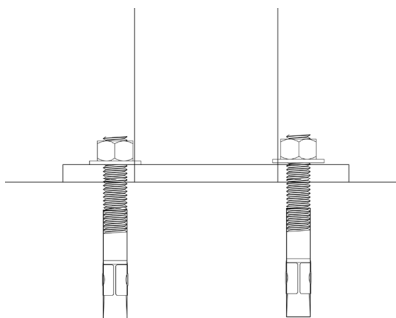
Structure: zinc powder coated steel
 Seating: plastic panels with plank texture.
 *Vegetation not included.

INSTALLATION METHOD

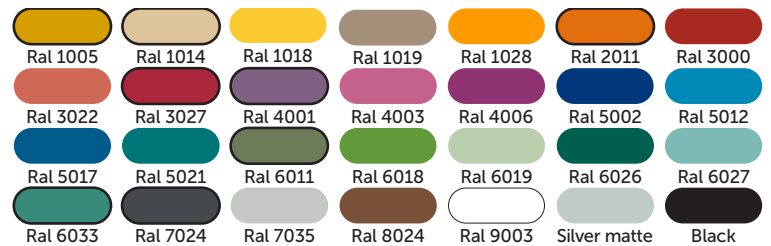
Mechanical anchors in a 6" poured concrete slab on granular foundation.

INSTALLATION DETAILS

Mechanical anchoring on concrete slab
 (coordinated with civil engineering).



AVAILABLE COLORS - PAINT



AVAILABLE COLORS - PLASTIC SURFACE

*Prices may vary according to the material selected.

