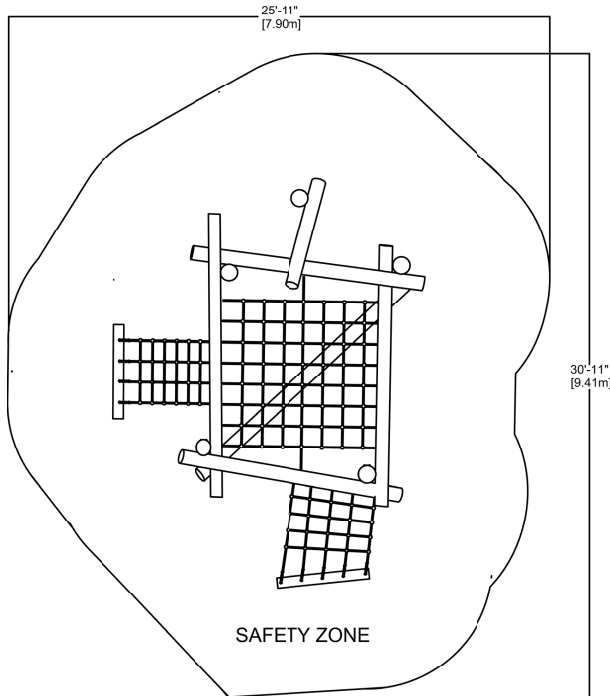
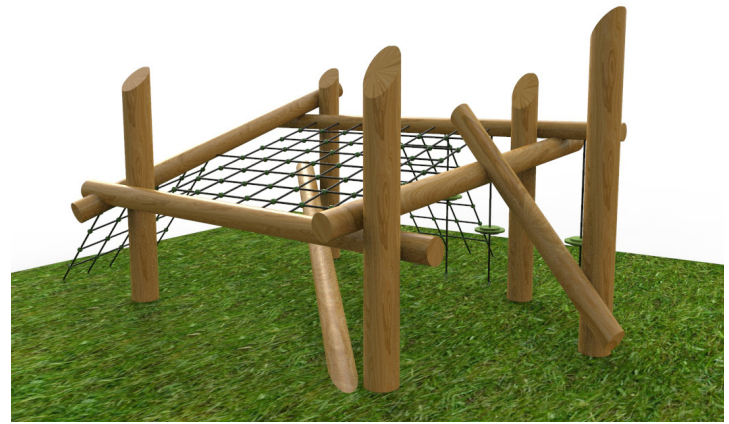


# Small Log Dam2

EP-NS-046.2



\* New Product: The technical details contained in this document may change during engineering and production.



### CHARACTERISTICS

Age group: 5 - 12 y.  
 Height: variable  
 Capacity: 24  
 Protection area: 30'-11" X 25'-11" (9.41m x 7.90m)

### MATERIALS

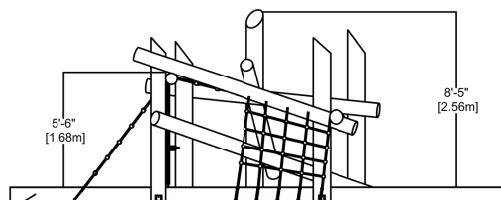
**Structure:** Cedar tronk(s), minimum 6" to 8" diameter. The wood is delivered naturally without protection, it will turn grey. If you want to keep the golden color of the wood, you will have to treat it annually with a natural stain.  
**Cables:** braided UV-resistant nylon over seven (7) galvanized steel cables; 0,8" (20mm) diameter;  
**Mechanical Assembly:** seamless 2" (51mm) diameter aluminum crimped cross joint castings.

### INSTALLATION METHOD

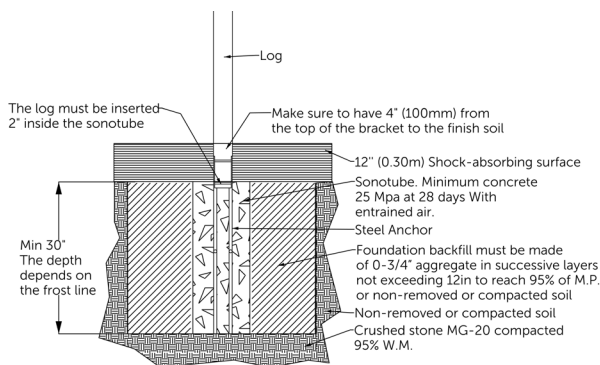
Galvanised steel structure.  
 The equipment is design to be installed in a 12" (300mm) of resilient material (EWF, rubber or sand).

### PLAY VALUE

The non-even surface of the wood posts is a great way to develop global motricity, attention and to challenge kids to push their limits. The net is a good place for social play and to play with the bouncing of the net.



### INSTALLATION DETAILS



### AVAILABLE WOOD

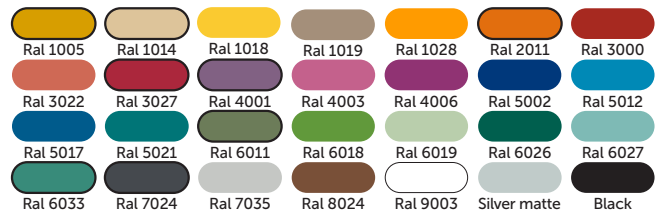
Eastern white cedar is installed by default.  
 The robinia is also available on request at an additional cost.



### AVAILABLE COLORS - CABLES



### METAL COLORS PAINT



### COLOR - HDPE

