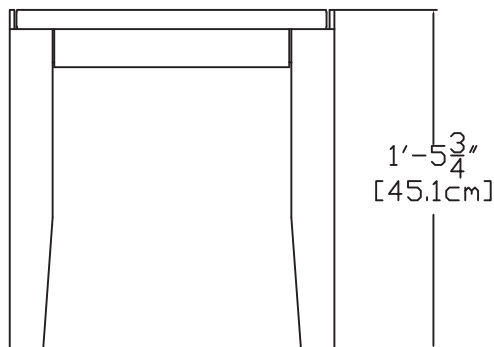
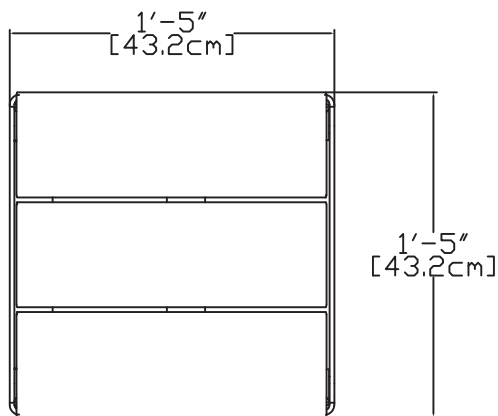


# Square Bench

EP-UFS-CHAB6000



## CHARACTERISTICS

Dimensions : 17" x 17" 17.75" (432mm x 432 mm x 451mm)

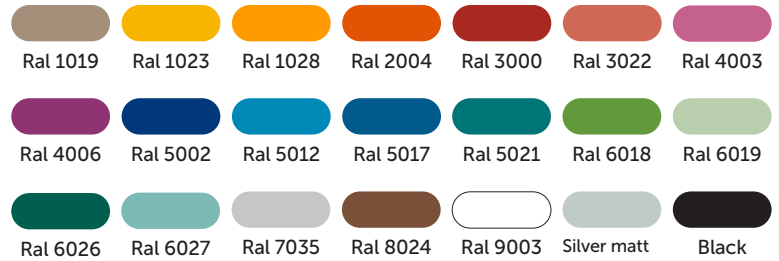
## MATERIALS

Steel structure, zinc plated and powder coated;  
Seating can be made of natural wood or recycled plastic.

## ANCHOR TYPE

Drop-in anchors in concrete slab.

## AVAILABLE COLORS - PAINT



## AVAILABLE COLORS - WOOD



## AVAILABLE COLORS - PLASTIC (1'')

