

# Mini Hockey goal

EP-SKS-HOCKB



## FEATURES

Mini Hockey Goal.  
Take into account the slopes of the terrain for optimal use of the product.

## MATERIALS

Posts, grids and sleeves: galvanized steel and covered with powder coat.

## INSTALLATION METHOD

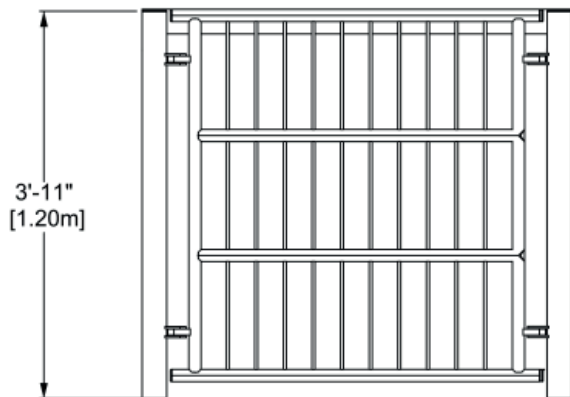
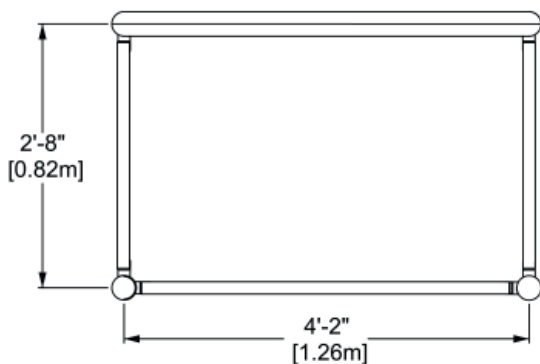
Black sleeves installed with mechanical anchors on pre-poured concrete pyramid bases. (Not supplied - available in Quebec at Pelomix).

## PLAY VALUE

Allows to maximize the play space.  
Ball fences and goals are available in several configurations to accommodate all sizes of playspace.

The cages can be used on an asphalt yard, on a synthetic turf or on natural grass.

The openwork mesh allows easy monitoring of play areas. The bright colors of the posts and griddle add brightness to playspace.



## AVAILABLE COLORS - STRUCTURE

