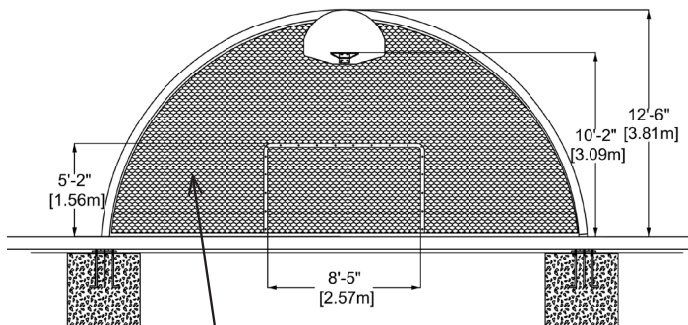
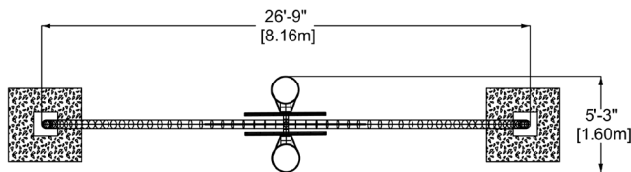
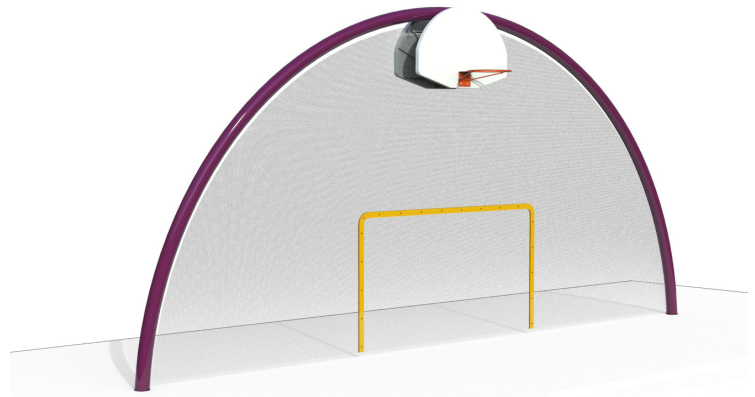


Archsket Double

EP-SKS-ARSK2



CHARACTERISTICS

The Archsket has two basketball hoops with a stainless steel mesh netting to delimit the playing area and keep the ball in the court. This equipment must be installed on leveled ground.

MATERIALS

Arch: 5" diameter steel tube, galvanized and painted with baked electrostatic paint.

Net: stainless steel.

Basketball backboard: white painted aluminum casting.

ANCHORS TYPE

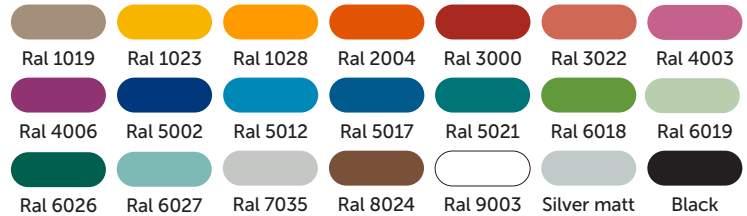
Chemical anchor or J anchor in concrete.

The base should be at least 48" or deeper depending on the frost line in your area.

PLAY VALUE

This equipment helps keep the ball in the play area, ideal for schoolyards where space is at a premium.

AVAILABLE COLORS - POSTS



AVAILABLE COLORS - BASKETBALL BACKBOARD



AVAILABLE COLORS - BASKETBALL HOOP

