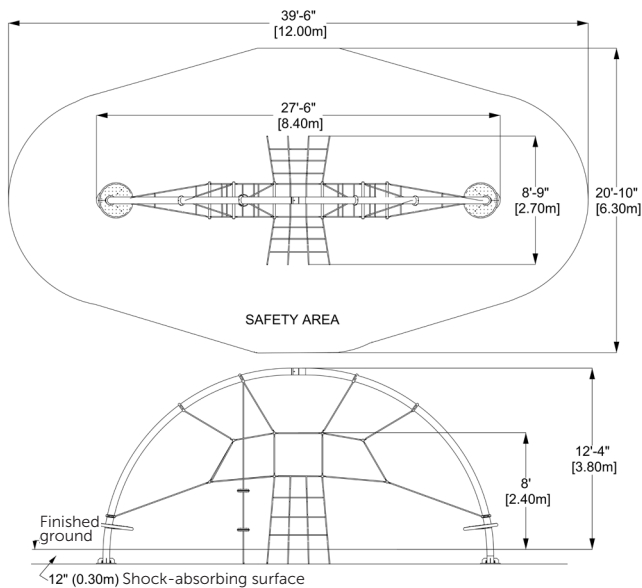


Small Dome and Climbing Nets

EP-CN-AN1301N (ASTM+CSA)



CHARACTERISTICS

Age Group : 5-12 years old

Fall Height : 8' (2.40m)

Capacity : 25

Safety Zone : 39'-6" x 20'-10" (12m x 6.30m)

The equipment is designed to be installed in 12" (300mm) resilient material (EWF, rubber or sand).

MATERIALS

Structure: galvanized and powder coated steel;

Cables: braided UV-resistant nylon over seven (7) galvanized steel cables; 0,8" (20mm) diameter;

Net Accessories: HDPE plastic, rubber.

Mechanical Assembly: Mechanical cross joint.

Connecting pipes: galvanized and powder coated steel, silver mat.

ANCHOR TYPE

Concrete base footing.

The base must be at least 30" deep or more, depending on the frost line in your area.

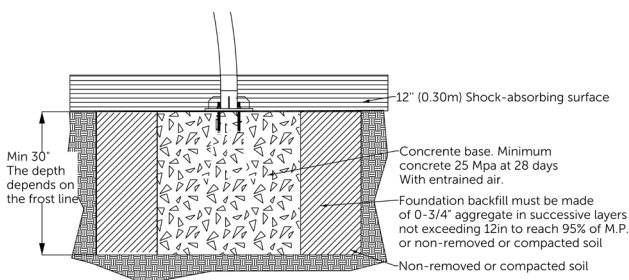
The concrete used for the foundations must be at least 25 Mpa at 28 days with entrained air.

Foundation backfill must be made of 0-3/4" aggregate in successive layers not exceeding 12in to reach 95% of the P.M.

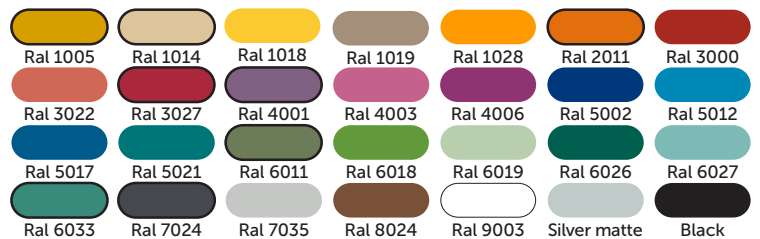
PLAY VALUE

This equipment provides challenging play either solo or in group. The arch shape allows for children to climb and to observe while socializing. It is a place where they gather and develop their motor skills by taking different routes each time.

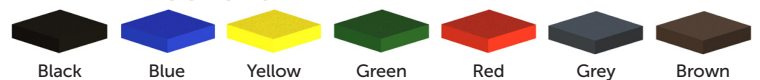
INSTALLATION DETAILS



AVAILABLE COLORS - STRUCTURE



AVAILABLE COLORS - HDPE



AVAILABLE COLORS - CABLES

