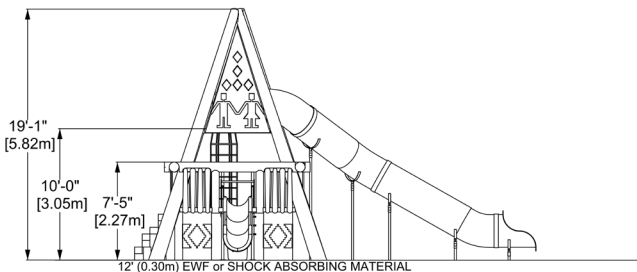
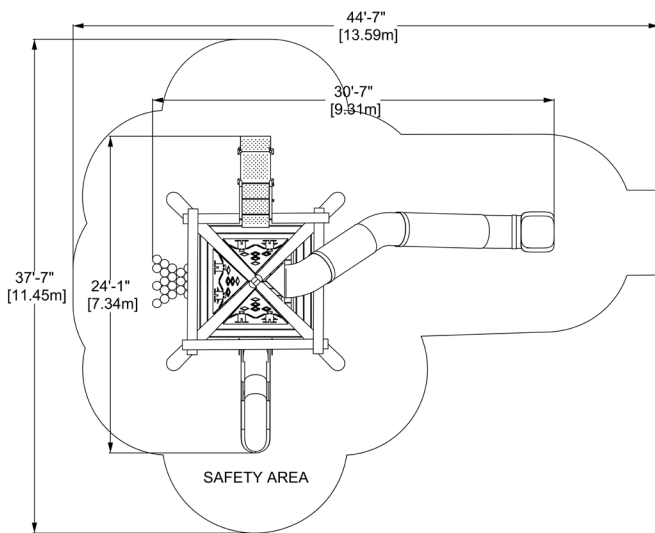


Totem structure

EP-NS-019 (ASTM)



CHARACTERISTICS

Age Group: 5-12 years old
 Height (structure) : 19'-1" (5.82m)
 Fall Height: 7'-5" (2.27m)
 Capacity: 25
 Safety Zone: 44'-7" x 37'-7" (13.59m x 11.45m)
 The equipment is design to be installed in a 12" (300mm) of resilient material (EWF, rubber or sand). If the tickness varies, please specify when ordering.

MATERIALS

Structure : 8" to 12" dia. peeled cedar log. No protection is applied to the wood. To avoid graying, protection must be applied annually.
 Slides : Rotomolded plastic, UV-resistant;
 Cables : braided UV-resistant nylon over seven (7) galvanized steel cables; 0,8" (20mm) diameter;
 Log Custer : cedar logs;
 Stairs: Powder coated aluminium

ANCHORS TYPE

Galvanized rods fixed at the base of the logs, cast in concrete. The concrete used for the foundation be minimum 25 Mpa at 28 days with entrained air. The base should be at least 36" or deeper depending on the frost line in your area. The foundation must be installed in undistrubed soil or the backfill around sonotubes must be made of 0-3/4" aggregate in successive layers not exceeding 12" to reach 95% of M.P.

PLAY VALUE

This equipment favories balance, stability, coordination and global motricity. It can be used by many users simultaneously, which encourages collaborative, social and role play. Moreover, the vestibular and proprioceptive systems are stimulated by this type of equipment, which helps to develop the perception of the body into space.

AVAILABLE COLORS - PLASTIC



AVAILABLE COLORS - ROTOMOLDED PLASTIC



AVAILABLE COLORS - CABLES

