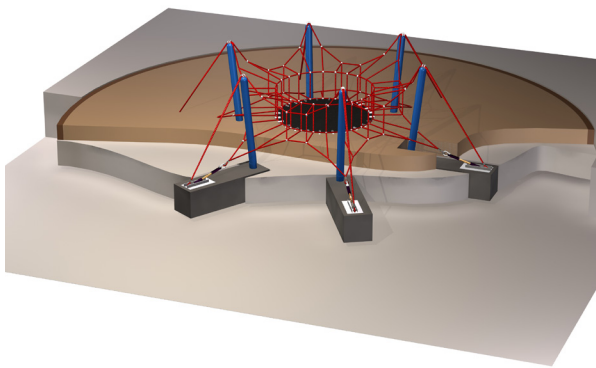


Small Bouncing Net

EP-ES-EAN2000 (ASTM & CSA)



CHARACTERISTICS

Age Group : 2-12 years old
 Height (structure) : 4'-2" (1,26m)
 Fall Height : 2'-4" (0,72m)
 Capacity : 13
 Safety Zone : 30'-5" x 26'-7" (9,26m x 8,10m)

MATERIALS

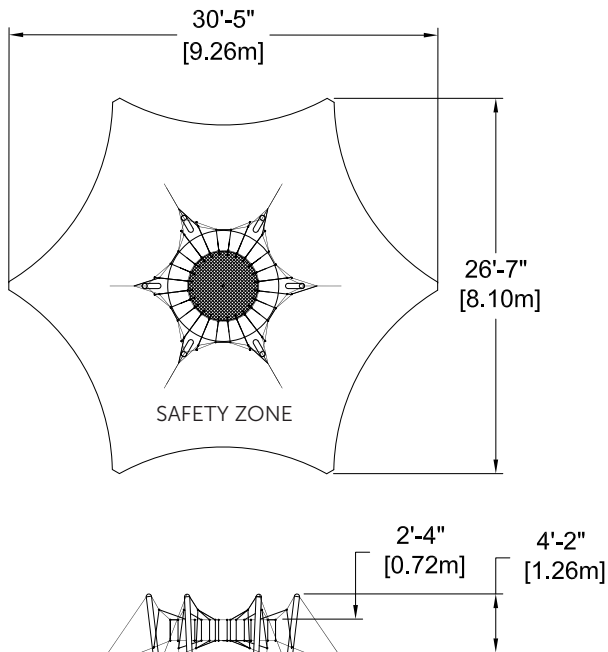
Structure : galvanized and powder coated steel;
 Cables : braided UV-resistant nylon over seven (7) galvanized steel cables; 0,8" (20mm) diameter;
 Mat : 1/2" (12,7mm) thick reinforced rubber mat;
 Mechanical Assembly : seamless 2" (51mm) diameter aluminum crimped cross joint castings.

ANCHORS TYPE

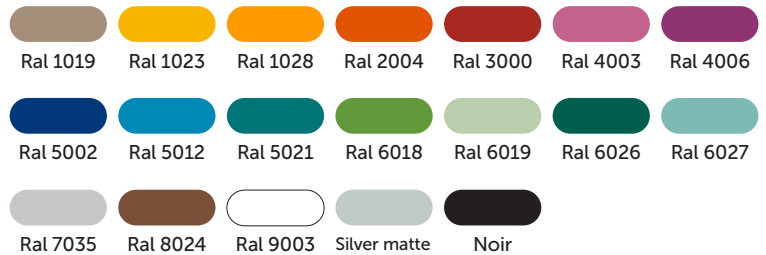
Posts : mechanical anchor in concrete bases;
 Net tips : turnbuckles mounted to plates anchored in concrete bases.

PLAY VALUE

This play equipment is an important component of the child's vestibular system development. Having a strong vestibular system enhances the sense of the body in space, helps to a better balance and a bigger capacity in sports in general. The Teepee allows different climbing techniques and encourages kids to communicate.



AVAILABLE COLORS - STRUCTURE



AVAILABLE COLORS - CABLES

