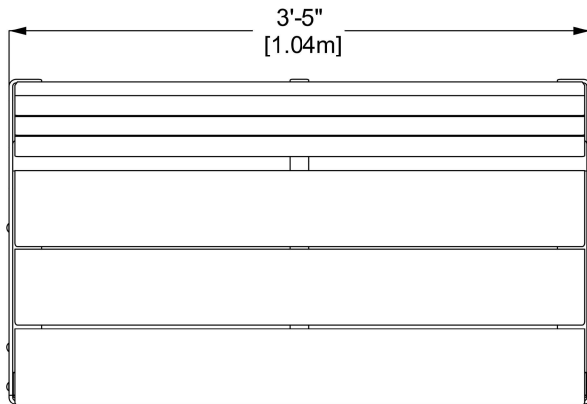


# Bench for concrete wall

EP-UFS-CHAB9000



## CHARACTERISTICS

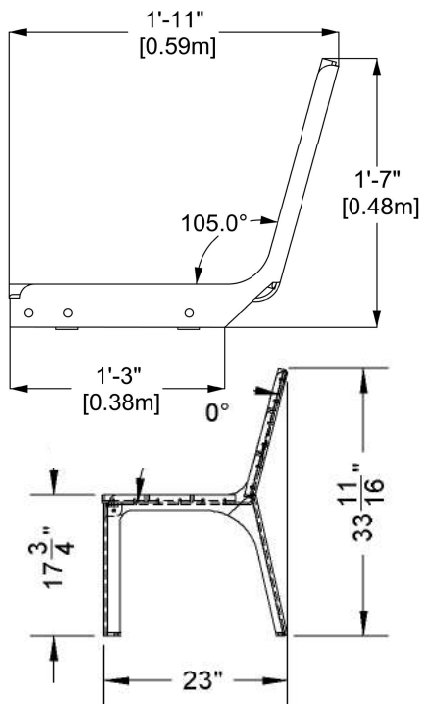
length : 3'5" (1,04m)  
 deep: 23" (0,58m)  
 seat height : 1'7" (0,48m)

## MATERIAL

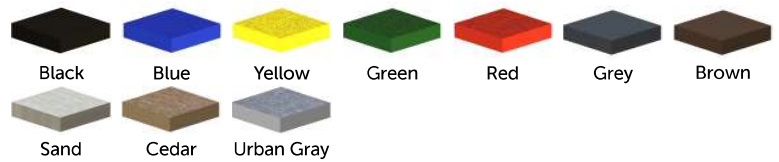
Structure: Galvanized steel coated with baked powder coat  
 Surface: Wooden or plastic boards.

## INSTALLATION METHOD

Mechanical anchor in concrete wall



## AVAILABLE COLORS - PLASTIC



## AVAILABLE - WOOD & PLASTIC WOOD



## AVAILABLE COLORS - STRUCTURE

