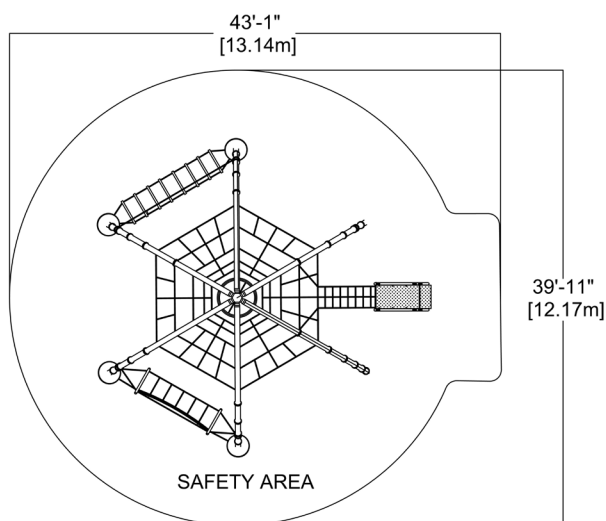
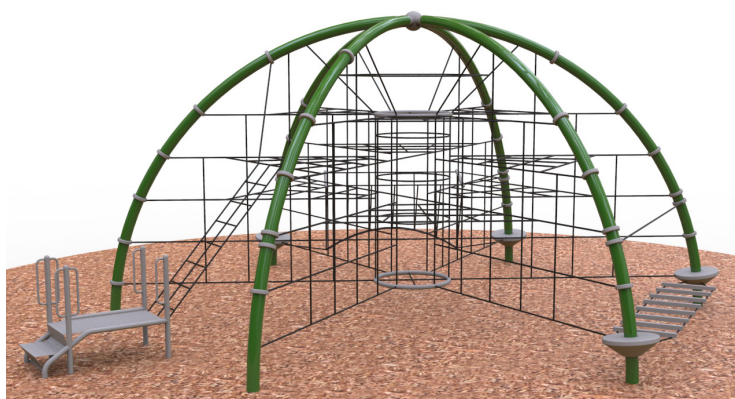


Large Dome with ADA platform

EP-CN-AN1303-ADA (ASTM & CSA)



CHARACTERISTICS

Age Group : 5-12 years old
 Height (structure) : 13'-1" (3.99m)
 Fall Height : 8'-10" (2.68m)
 Capacity : 45
 Safety Zone : 43'-1" x 39'-11" (13.14m x 12.17m)

MATERIALS

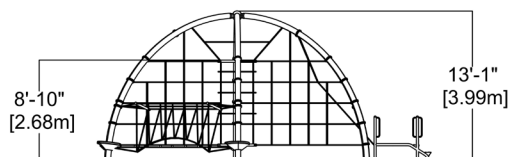
Structure : galvanized and powder coated steel;
 Cables : braided UV-resistant nylon over seven (7) galvanized steel cables; 0.8" (20mm) diameter;
 Mechanical Assembly : seamless 2" (51mm) diameter aluminum crimped cross joint castings.
 ADA platform: powder coated aluminium

INSTALLATION METHOD

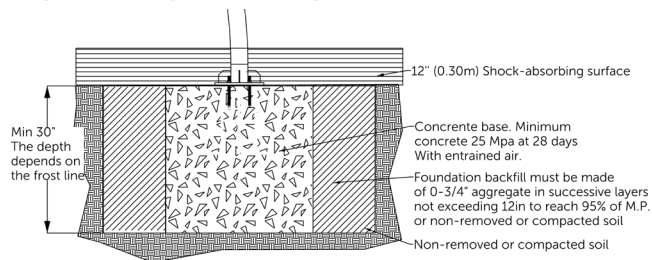
Concrete base footing or autostable steel structure.

PLAY VALUE

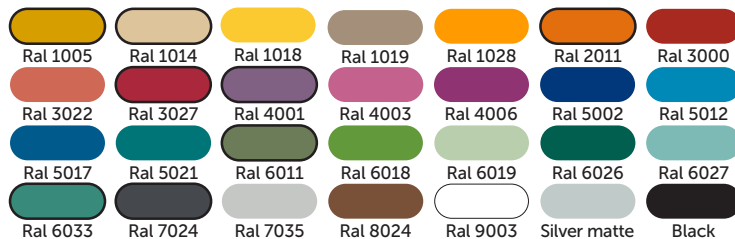
The Large Dome provides challenging play either solo or in group. The arch shape allows for children to climb and to observe while socializing. It is a place where they gather and develop their motor skills by taking different routes each time.



INSTALLATION DETAILS



AVAILABLE COLORS - PAINT



AVAILABLE COLORS - CABLES

