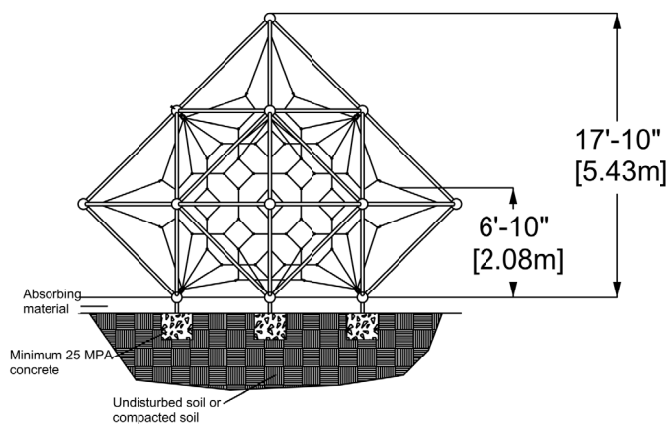
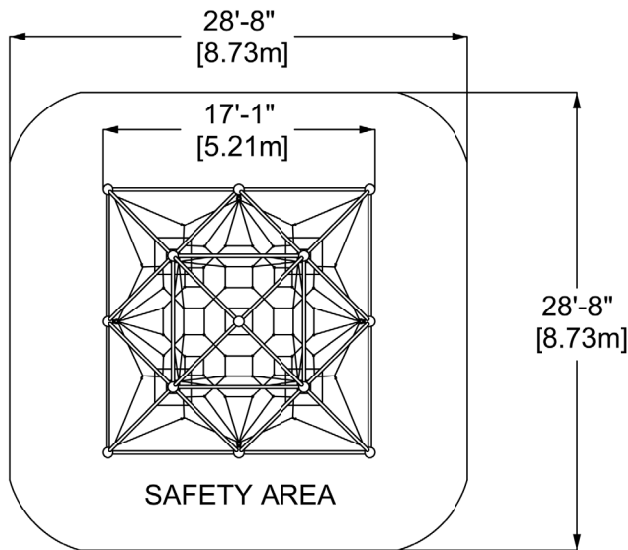
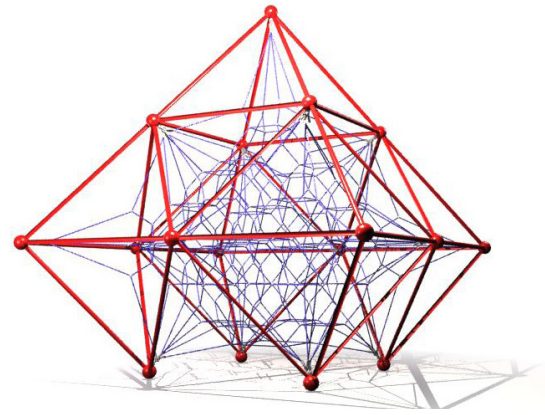


# Climbing Net

EP-CN-FN1800 (ASTM & CSA)



## CHARACTERISTICS

Age Group : 5-12 years old  
 Height (structure) : 17'-10" (5,43m)  
 Fall Height : 6'-10" (2,08m)  
 Capacity : 42  
 Safety Zone : 28'-8" x 28'-8" (8,73m x 8,73m)

## MATERIALS

Structure : galvanized and powder coated steel;  
 Cables : braided UV-resistant nylon over seven (7) galvanized steel cables; 0,8" (20mm) diameter;  
 Mechanical Assembly : seamless 2" (51mm) diameter aluminum crimped cross joint castings.

## ANCHOR TYPE

Concrete base footing or autostable steel structure.

The equipment is design to be installed in a 12" (300mm) of resilient material (EWF, rubber or sand).

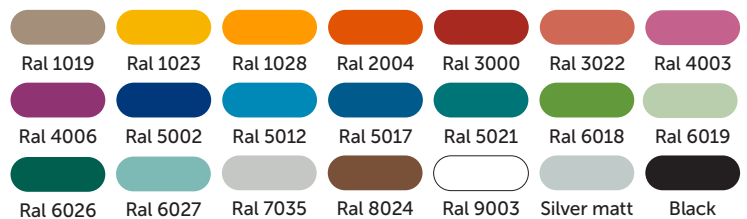
The concrete used for the foundation be minimum 25 Mpa at 28 days with entrained air.

Foundation backfill : The foundation backfill must be made of 0-3/4" aggregate in successive layers not exceeding 12in to reach 95% of M.P.

## PLAY VALUE

An opportunity to enhance freedom of movement, stability and balance while climbing to the top. Will improve global motricity and coordination skills. This play equipment will allow bouncing while climbing creating high sensory stimulation for children.

## AVAILABLE COLORS - PAINT



## AVAILABLE COLORS - CABLES

