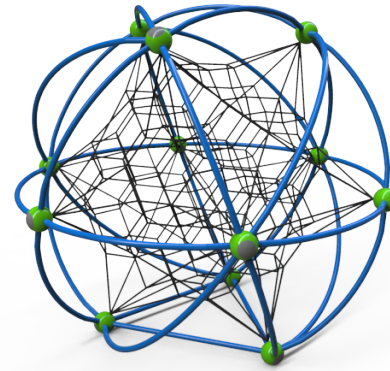


Sphere Large

EP-CN-FNR1300 (ASTM & CSA)



CHARACTERISTICS

Age Group : 5-12 years old
 Height (structure) : 12'-1" [3.69m]
 Fall Height ASTM : 5'-5" [1.66m]
 Fall height CSA : 8'-4" [2.55m]
 Capacity : 38
 Safety Zone : Ø25'-11" [7,31m]
 This equipment must be installed on leveled ground.

MATERIALS

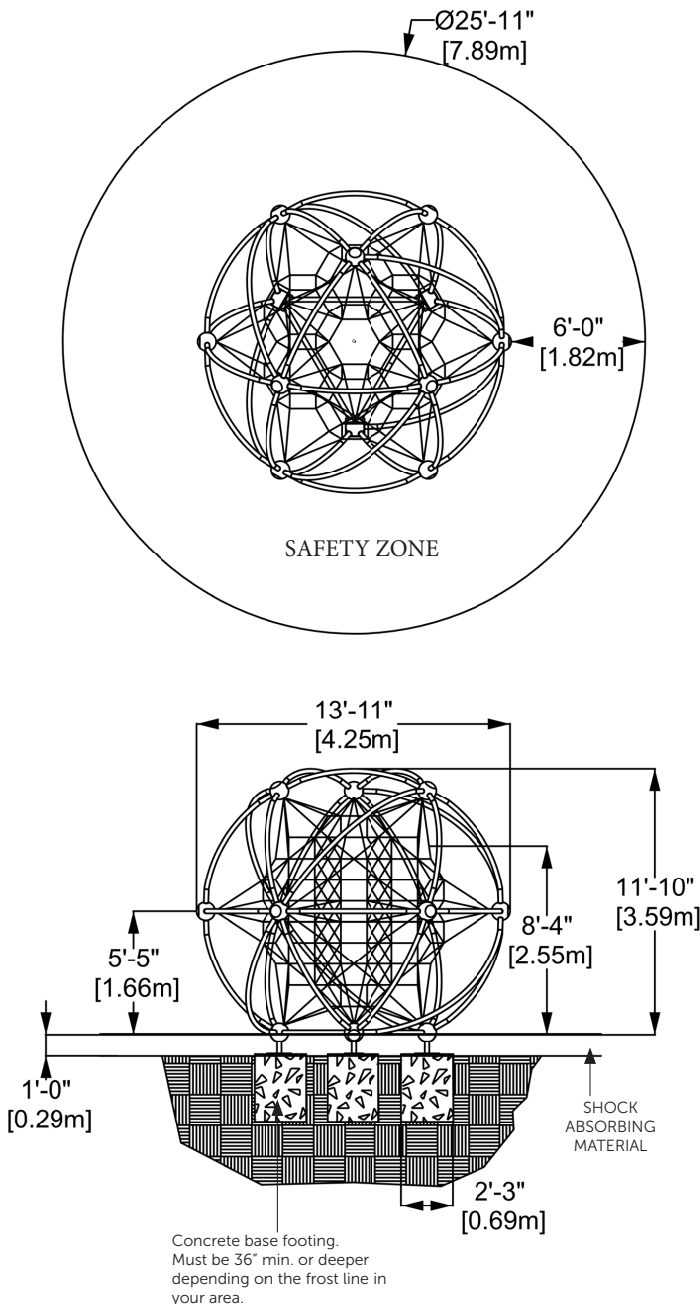
Structure : galvanized and powder coated steel;
 Cables : braided UV-resistant nylon over seven (7) galvanized steel cables; 0,8" (20mm) diameter;
 Mechanical Assembly : seamless 2" (51mm) diameter aluminum crimped cross joint castings.

ANCHOR TYPE

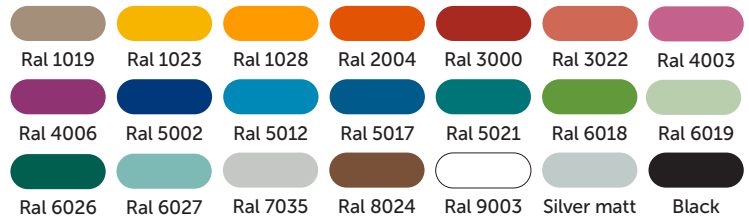
Concrete base footing. The base should be at least 36" or deeper depending on the frost line in your area. The equipment is design to be installed in a 12" (300mm) or resilient material (EWF, rubber or sand).

PLAY VALUE

This equipment provides challenging play either solo or in group. The arch shape allows for children to climb and to observe while socializing. It is a place where they gather and develop their motor skills by taking different routes each time.



AVAILABLE COLORS - PAINT



AVAILABLE COLORS - CABLES

