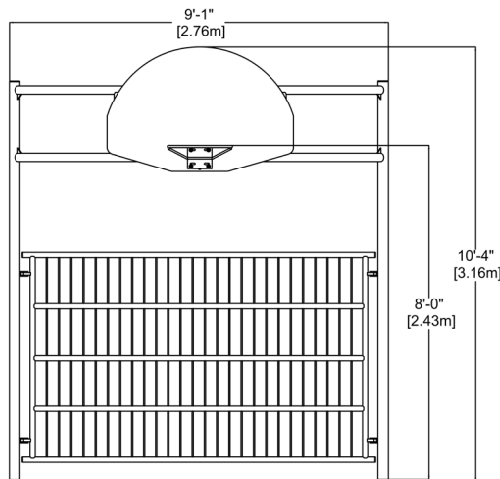
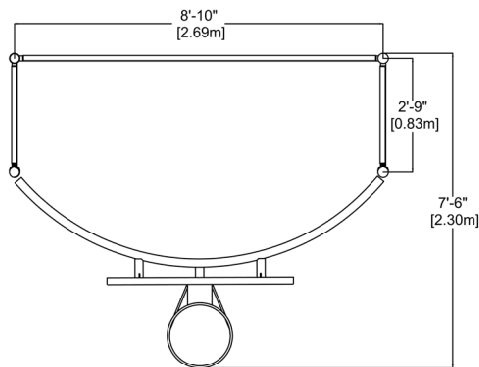
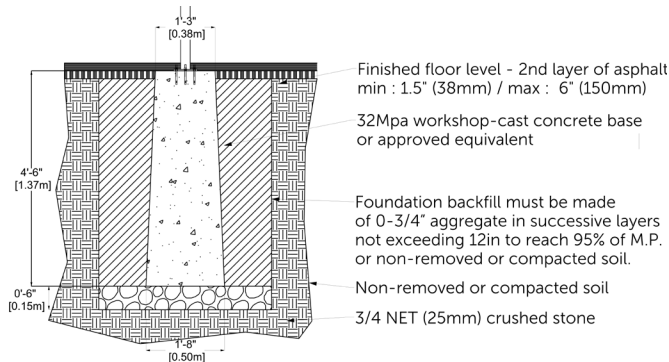


Soccer goal and Basket Configuration A8

EP-SKS-PCFB-A8



INSTALLATION DETAILS



The base should be approximately level with the first layer of asphalt.
All bases of the same product must be at the SAME LEVEL.

CHARACTERISTICS

Soccer and basketball goal.
The basketball hoop is installed at 8' [2.43m].
Please take into consideration the slopes of the field for an optimal use of the product.

MATERIALS

Posts and grids: galvanized steel, powder-coated.
Basketball backboard: white powder-coated aluminum with orange galvanized steel ring and white nylon net.

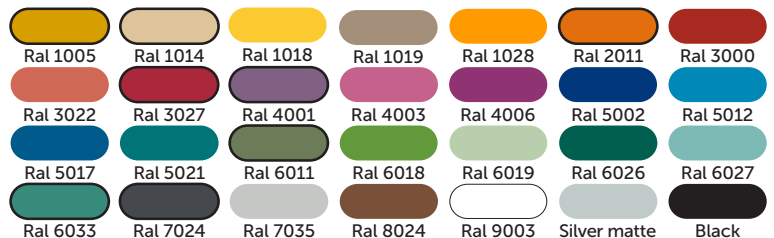
ANCHORS TYPE

Black sleeves installed with mechanical anchors on pre-cast concrete pyramid bases (not supplied).

PLAY VALUE

Maximizes play space.
Ball and basketball fences are available in a variety of configurations to accommodate yards of all sizes. Cages can be installed directly on asphalt, synthetic or natural grass.
Open-work mesh allows easy monitoring of play areas. The bright colors of the posts and fencing add sparkle to the yard.

AVAILABLE COLORS - POSTS



AVAILABLE COLORS - BASKETBALL BACKBOARD

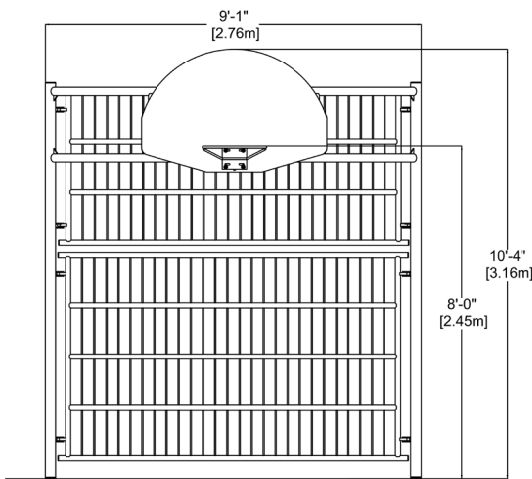
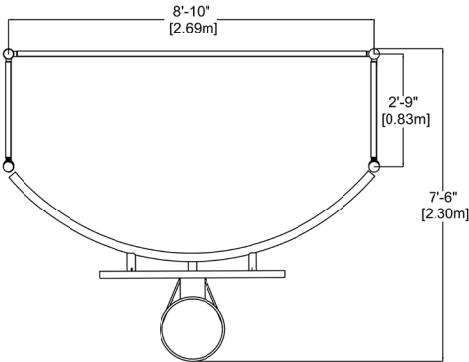


AVAILABLE COLORS - BASKETBALL HOOP



Soccer goal and Basket Configuration A8+

EP-SKS-PCFB-A8+



CHARACTERISTICS

Soccer and basketball goal.
The basketball hoop is installed at 8' [2.43m].
Please take into consideration the slopes of the field for an optimal use of the product.

MATERIALS

Posts and grids: galvanized steel, powder-coated.
Basketball backboard: white powder-coated aluminum with orange galvanized steel ring and white nylon net.

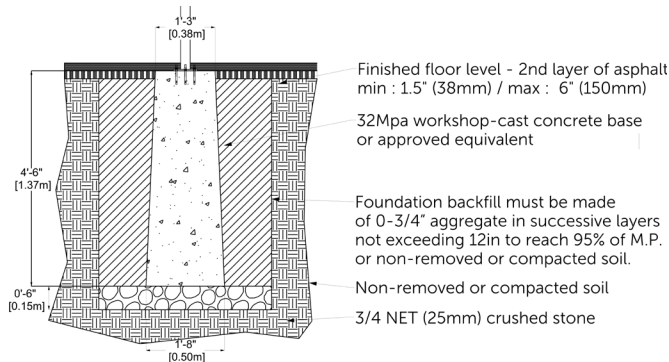
ANCHORS TYPE

Black sleeves installed with mechanical anchors on pre-cast concrete pyramid bases (not supplied).

PLAY VALUE

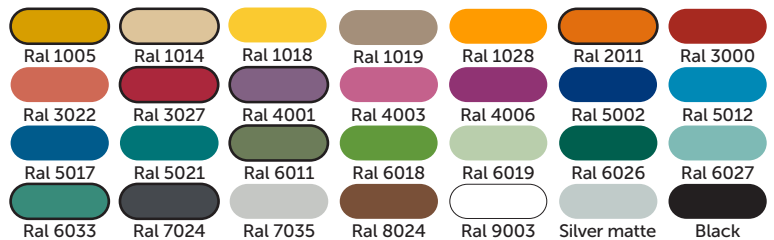
Maximizes play space.
Ball and basketball fences are available in a variety of configurations to accommodate yards of all sizes. Cages can be installed directly on asphalt, synthetic or natural grass.
Open-work mesh allows easy monitoring of play areas. The bright colors of the posts and fencing add sparkle to the yard.

INSTALLATION DETAILS



The base should be approximately level with the first layer of asphalt.
All bases of the same product must be at the SAME LEVEL.

AVAILABLE COLORS - POSTS



AVAILABLE COLORS - BASKETBALL BACKBOARD



AVAILABLE COLORS - BASKETBALL HOOP

