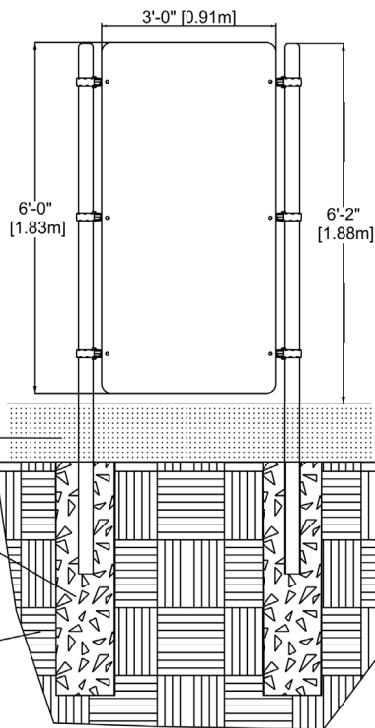
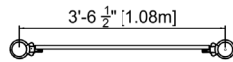


3'x6' Drawing Board

EP-SKS-DB36



12" (0.30m) EWF or other shock absorbing material

The bases should be at least 36" or deeper depending on the frost line in your area.

Undisturbed soil or compacted soil to 95%

CHARACTERISTICS

Plastic drawing board with rounded corners that can be used on both sides.

Board dimensions: 3' x 6' (0.91m x 1.88m)

MATERIALS

Posts : 3 1/2" (89mm) galvanized powder coated steel.

Caps : powder coated aluminum.

Board : 0.75" (19mm) thick HDPE

INSTALLATION

Concrete poured into 12" (0.3m) diameter sonotubes.

Depth to be determined according to the depth of the frost line in your region.

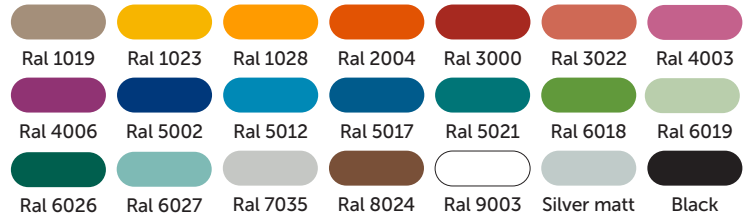
Can be used with a shock-absorbing surface if the intended use is gymnastics.

PLAY VALUE

Can bonify an outdoor class, favorize creative games and lead towards calmer activities during recreations and playtime.

Designed to be used with classic chalk only. No liquid chalk markers.

AVAILABLE COLORS - POSTS



AVAILABLE COLOR - BOARD

