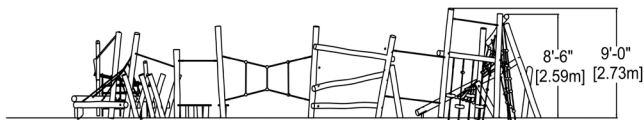
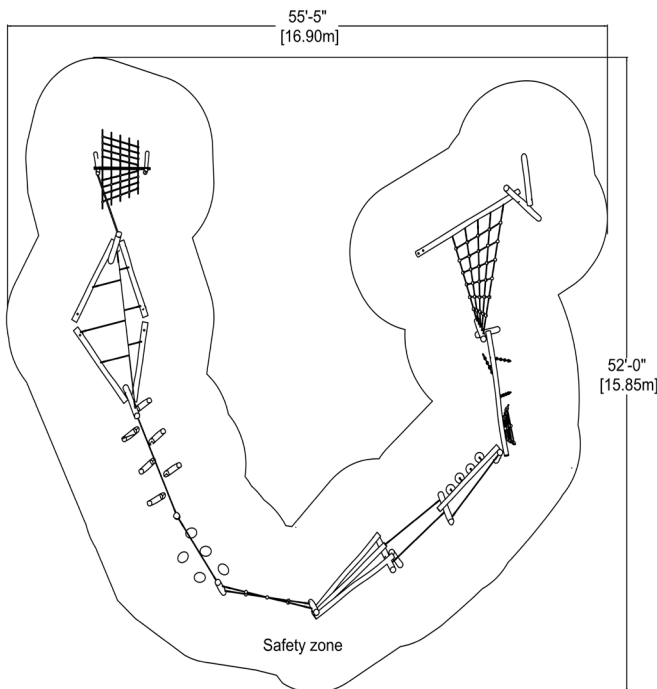


# Parcours

EP-NS-021 (ASTM & CSA)



### CHARACTERISTICS

Age group: 5 - 12 years old

Fall Height: 8'-6" (2.59m)

Capacity: 38

Safety zone : 6' all around the quipement

**\*\* Layout can vary or be adjust to your space.\*\***

The equipment is design to be installed in a 12" (300mm) of resilient material (EWF, rubber or sand).

### MATERIALS

**Wood:** White cedar. 6" to 12" diameter logs. No protection is applied to the wood. To prevent graying, protection should be applied annually.

**Cables:** braided UV-resistant nylon over seven (7) galvanized steel cables; 0,8" (20mm) diameter.

### ANCHORS TYPE

Galvanized rods are fixed to the base of logs cast in concrete, and climbing ropes are mechanically anchored to the sonotubes. The concrete used for the foundation be minimum 25 Mpa at 28 days with entrained air.

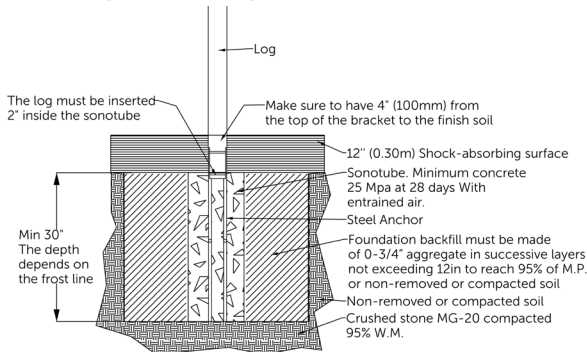
The foundation backfill must be made of 0-3/4" aggregate in successive layers not exceeding 12in to reach 95% of M.P.

The bases should be at least 36" or deeper depending on the frost line in your area.

### PLAY VALUE

This game promotes balance, agility, coordination and overall motor skills. It can be used by several users simultaneously, promoting collaborative and social games. The equipment allows an ideal arrangement with the other products of the Nature serie.

### INSTALLATION DETAILS



### AVAILABLE WOOD

Eastern white cedar is installed by default.

The robinia is also available on request at an additional cost.



### AVAILABLE COLORS - CABLES



### AVAILABLE COLORS - PLASTIC

