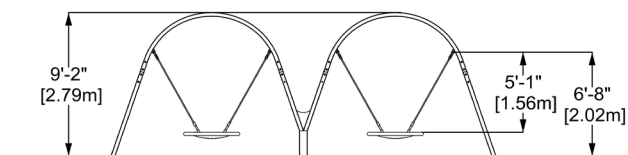
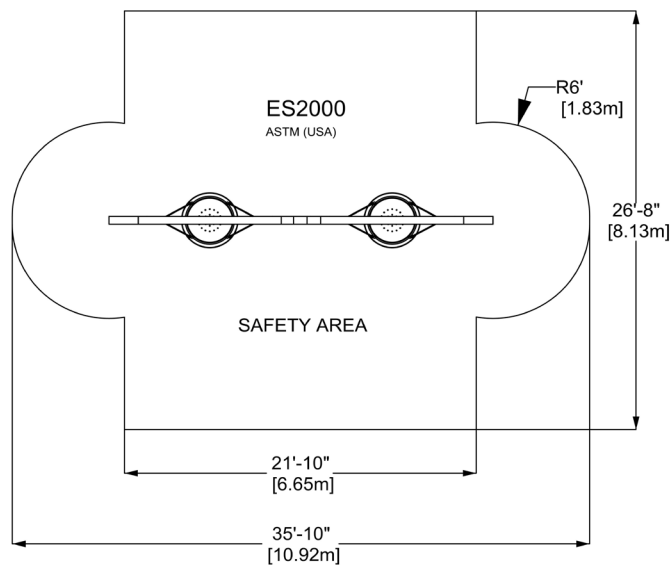
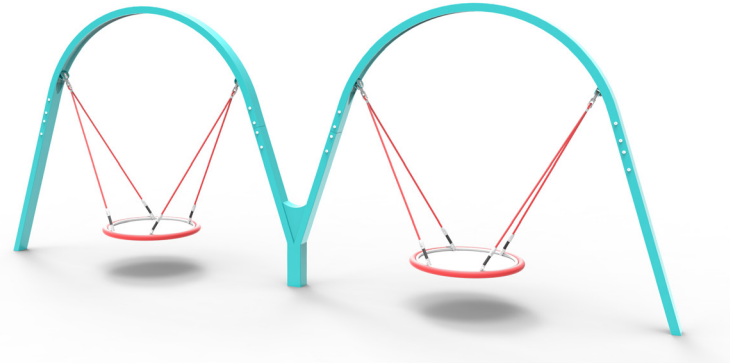
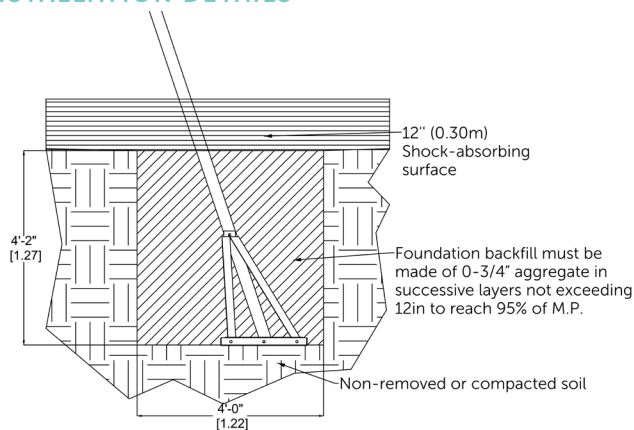


# Double Arch Swings

EP-ES-ES2000 (ASTM)



## INSTALLATION DETAILS



## CHARACTERISTICS

Age Group : 5-12 years old  
 Fall Height : 6'-8" (2,02m)  
 Critical Height : 9'-2" (2,79m)  
 Capacity : 8  
 Safety Zone : 35'-10" x 26'-8" (10.92m x 8.13m)  
 This equipment must be installed on leveled ground.

## MATERIALS

Structure : galvanized powder coated steel;  
 Cables : braided UV-resistant nylon over seven (7) galvanized steel cables; 0,8" (20mm) diameter;  
 Saucer Swing Seat : aluminum;  
 Bumper : resistant and shock absorbing rubber.

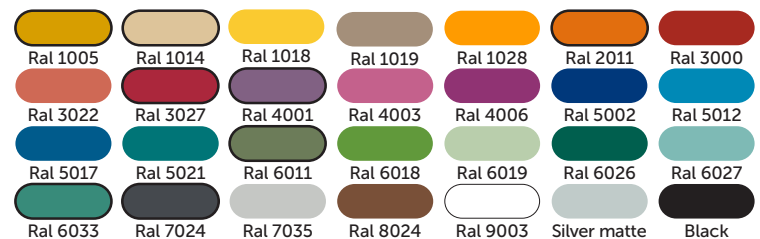
## INSTALLATION METHOD

In-ground galvanized steel freestanding footings.  
 The equipment is design to be installed in a 12" (300mm) of resilient material (EWF, rubber or sand).

## PLAY VALUE

An opportunity to enhance playful freedom of movement. This swing admits multiple users, favorizing social development, enhancing its play value over traditional swings. This type of play equipment gives high sensory stimulation created by its range of motions. The challenge provided by the swing stimulates and develops the user vestibular system and proprioceptive system by following the equipment's unique movement.

## AVAILABLE COLORS - STRUCTURE



## AVAILABLE COLORS - CABLES



## AVAILABLE COLORS - BUMPER

