

# The Combo (Two Bays)

EP-ES-ESC1000 (CSA)



## CHARACTERISTICS

Age Group : 5-12 years old  
 Height : 8'-3" (2,52m)  
 Capacity : 8  
 Safety Zone : 38'-6" x 33'-10" (11.73m x 10.31m)

## MATERIALS

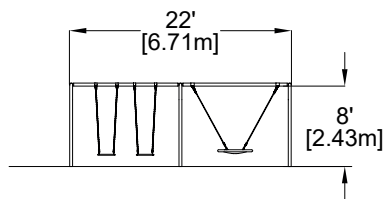
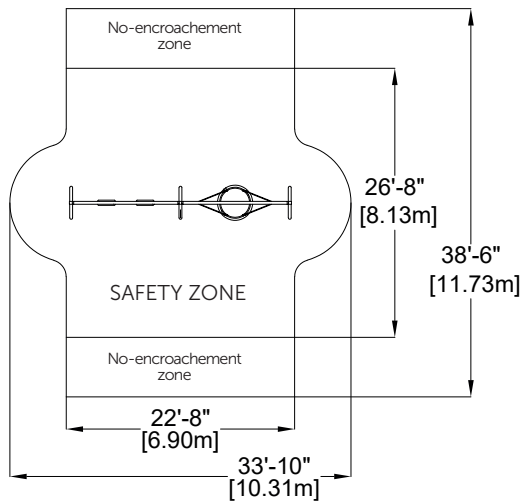
Structure : powder coated steel;  
 Chains : stainless steel or galvanized steel;  
 Regular Swing Seat : vulcanized rubber;  
 Cables : braided UV-resistant nylon over seven (7) galvanized steel cables; 0,8" (20mm) diameter;  
 Saucer Swing Seat : dish shaped perforated aluminum;  
 Bumper : resistant shock absorbing rubber;  
 Fasteners : stainless steel.

## ANCHORS TYPE

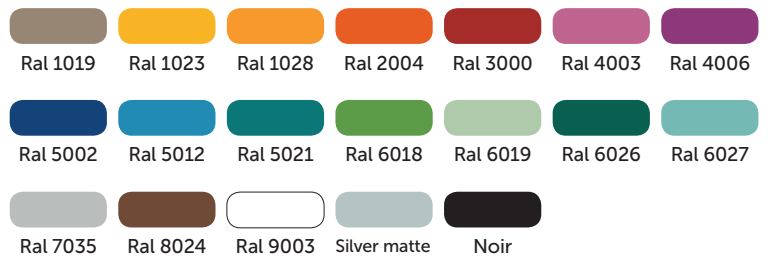
In-ground galvanized steel freestanding footing or in concrete base 60" (1.5m) depth.

## PLAY VALUE

This multi-user swing will enhance the children's social development over the traditional swing, while bringing high sensory stimulation through its range of motion and freedom of movements. The challenge of this unique movement will stimulate and develop the kids' vestibular and proprioceptive systems. techniques and encourages kids to communicate.



## AVAILABLE COLORS - STRUCTURE



## AVAILABLE COLORS - CABLES

