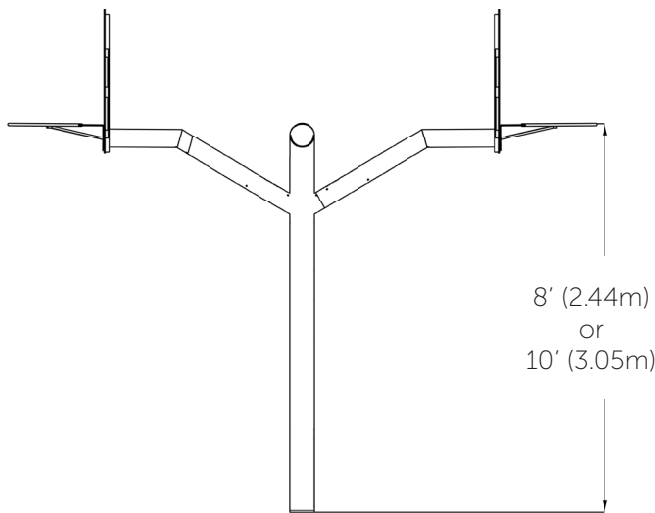
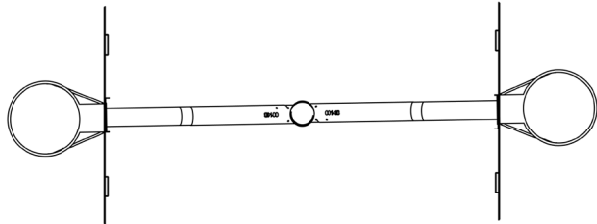


Basket duo

EP-SKS-BTE2000-8
EP-SKS-BTE2000-10



CHARACTERISTICS

Age group : 5 years old and over
Baskets are placed 8' (2.44m) from the ground or 10' (3.05m), to be specified when ordering.
This equipment must be installed on leveled ground.

MATERIALS

Post: galvanized powder coated steel.
Basketball backboard: white-powder coated aluminum, orange-painted galvanized steel, white nylon mesh.

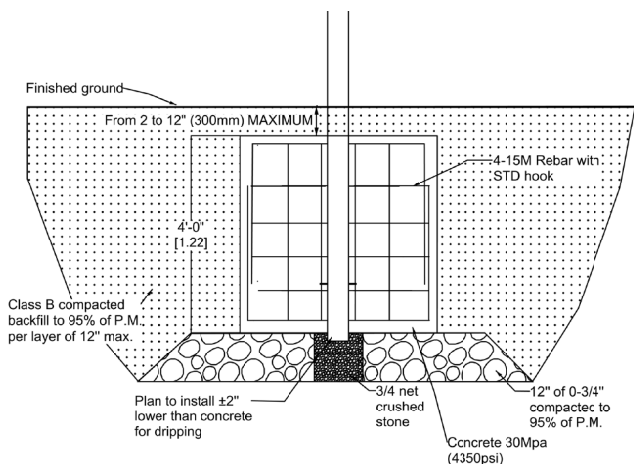
ANCHORS TYPE

Concrete sleeve and mechanical assembly.
The concrete base should be 4' x 4' x 4' (1.22m x 1.22m x 1.22m) and reinforced with rebar.
The concrete used for the foundations must be at least 25 Mpa at 28 days with entrained air.
The foundation backfill must be made of MG-20 aggregate in successive layers not exceeding 300mm to reach 95% of the P.M. over 1 meter around the base.

PLAY VALUE

Basket duo lets you immerse yourself in the exciting world of basketball, whether in a schoolyard or a park.

INSTALLATION DETAILS



AVAILABLE COLORS - POSTS



AVAILABLE COLORS - BASKETBALL BACKBOARD



AVAILABLE COLORS - BASKETBALL HOOP

