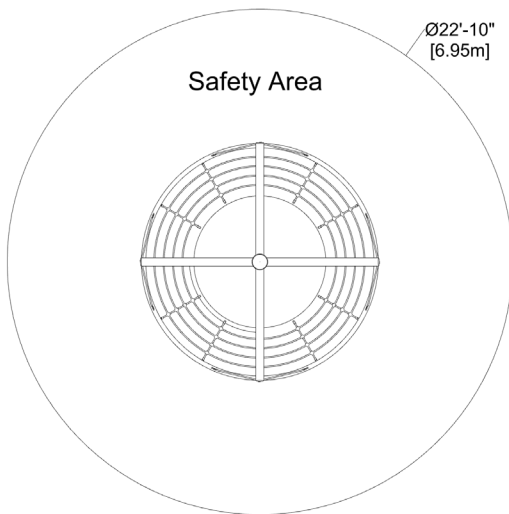


Spinneround Basket

EP-SS-ERB1100 (ASTM)



CHARACTERISTICS

Age Group: 5-12 years old

Fall Height: 6'-5" (1.97m)

Capacity: 25

Safety area: Ø22'-10" (Ø6.95m)

The equipment is design to be installed in a 12" (300mm) of resilient material (EWF, rubber or sand).

MATERIALS

Inner Post : heavy-duty galvanized steel;

Outer Post, Hardware and Fasteners : powder coated stainless steel*;

Deck : reinforced perforated aluminum*;

Rings : rolled aluminum tubing*;

Cap : half-sphere aluminum*;

Cables : braided UV-resistant nylon over seven (7) galvanized steel cables; 0,8" (20mm) diameter;

Cable Hardware : cast aluminum*;

Rotative Device : maintenance-free, self-lubricated nylon.

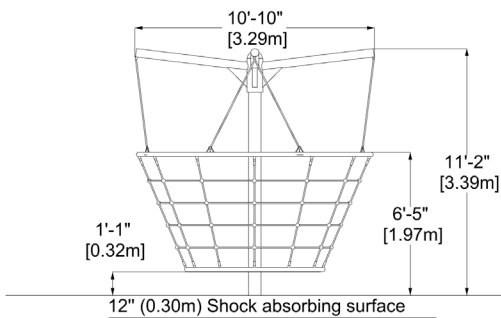
*All painted parts are powder coated with UV-resistant polyester.

ANCHORS TYPE

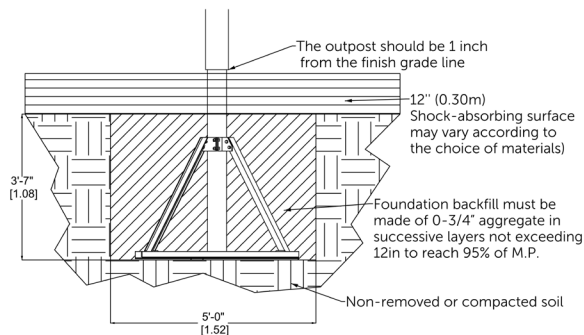
In-ground galvanized steel freestanding footing.

PLAY VALUE

The Spinneround Series enhance general playful freedom of movement, stability, hanging and running. This equipement favorize group interaction and create high sensory stimulation. Moreover, the moving of the center of mass constitute a highly amusing physical training for its users.



INSTALLATION DETAILS



AVAILABLE COLORS - PAINT

Ral 1005	Ral 1014	Ral 1018	Ral 1019	Ral 1028	Ral 2011	Ral 3000
Ral 3022	Ral 3027	Ral 4001	Ral 4003	Ral 4006	Ral 5002	Ral 5012
Ral 5017	Ral 5021	Ral 6011	Ral 6018	Ral 6019	Ral 6026	Ral 6027
Ral 6033	Ral 7024	Ral 7035	Ral 8024	Ral 9003	Silver matte	Black

AVAILABLE COLORS - CABLES

Black	Blue	Green	Red

