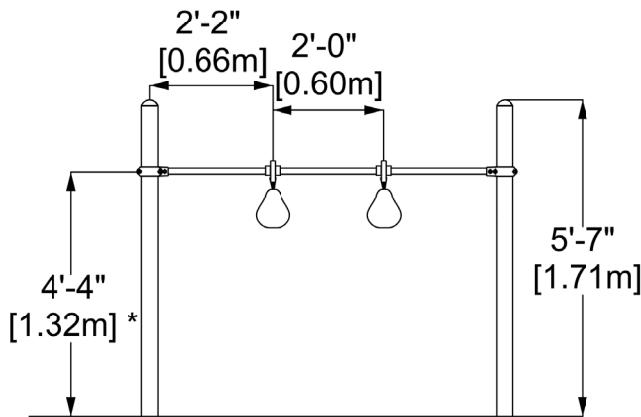
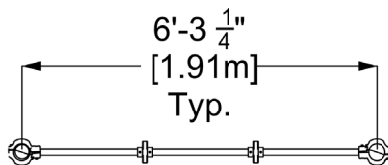


# Pear ball

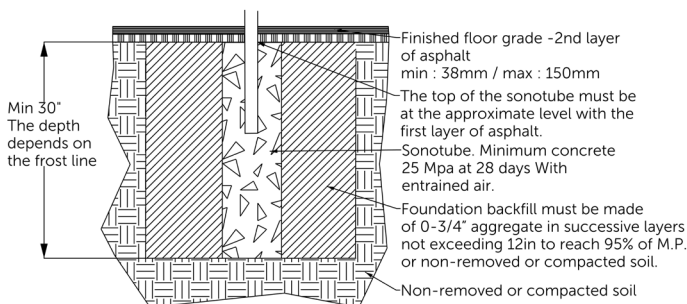
Double - One bay

EP-SKS-PB2-1



\* : suggested height

## INSTALLATION DETAILS



## CHARACTERISTICS

Age group : 5-12 years old

Distance between posts : 6'-3 1/4" (1.91m)

Horizontal bar height : variable, maximum 60" (1.52m) high

## MATERIALS

Side posts: 3.5" (89mm) diameter;

Horizontal bar: 1.315" (33mm) diameter;

Side posts and horizontal bar are galvanized steel and powder-coated

Caps: powder-coated aluminum.

Bearings: UHMW nylon held in place by powder-coated aluminum bushes (silver matte).

## INSTALLATION

Concrete poured into 12 " (0.3m) diameter sonotubes. Depth to be determined according to the depth of the frost line in your region.

The concrete used for the foundations must be at least 25 Mpa at 28 days with entrained air.

Foundation backfill must be made of 0-3/4" aggregate in successive layers not exceeding 12in to reach 95% of the P.M.

## PLAY VALUE

No absorbing surface needed for this game. Pear ball helps enforcing motricity and upper body strenght as well as developing coordination. Pear ball is played in group on numerous rythms and songs.

## AVAILABLE COLORS - POSTS

