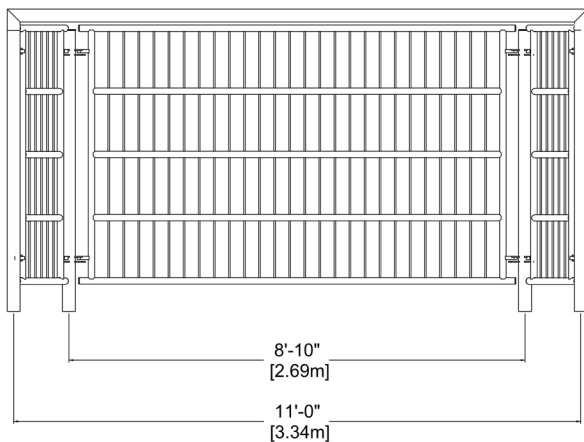
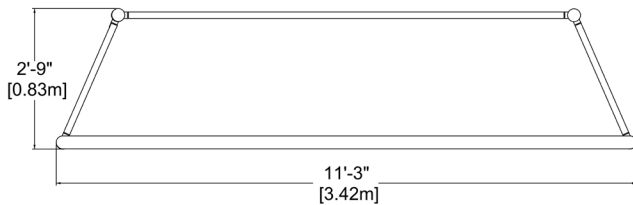


But de soccer XL

EP-SKS-SB-BXL



CHARACTERISTICS

Soccer goal.

Please take into consideration the slopes of the field for an optimal use of the product.

MATERIALS

Posts and grids: galvanized steel, powder-coated.

ANCHORS TYPE

Black sleeves installed with mechanical anchors on pre-cast concrete pyramid bases (not supplied).

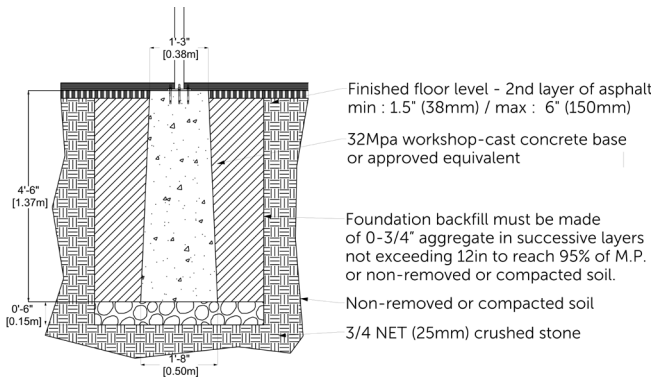
PLAY VALUE

Maximizes play space.

Soccer goal and grids are available in a variety of configurations to accommodate yards of all sizes. Cages can be installed directly on asphalt, synthetic or natural grass.

Open-work mesh allows easy monitoring of play areas. The bright colors of the posts and fencing add sparkle to the yard.

INSTALLATION DETAILS



The base should be approximately level with the first layer of asphalt.
All bases of the same product must be at the SAME LEVEL.

AVAILABLE COLORS

