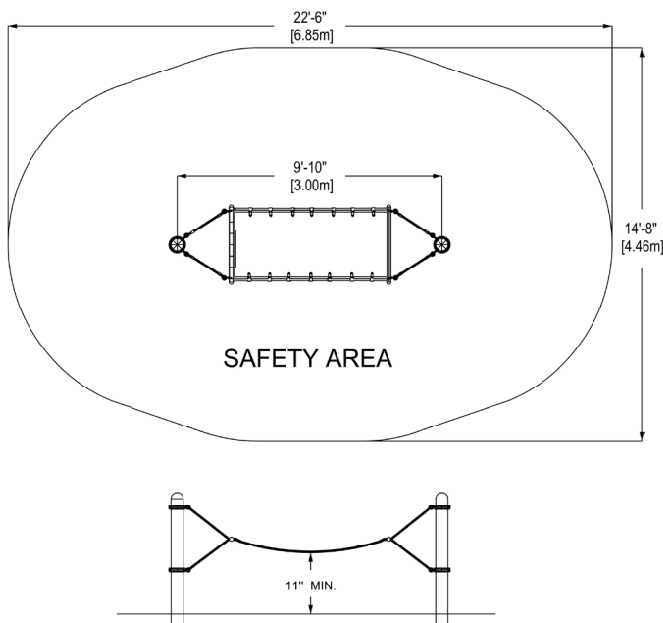
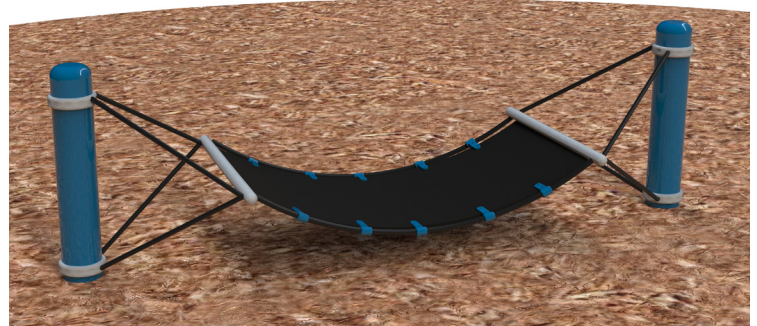


Rubber hammock

EP-CT_NES1035

* New Product: The technical details contained in this document may change during engineering and production.



CHARACTERISTICS

Age Group : 5-12 years old

Capacity : 2

Safety Zone : 22'-6" x 14'-10" (6,85m x 4,51m)

MATERIALS

Posts and caps : 5 9/16" diameter, galvanized and powder coated steel.

Cables : braided UV-resistant nylon over seven (7) galvanized steel cables; 0,8" (20mm) diameter;

Collars : powder coated aluminum;

Mechanical Assembly : seamless 2" (51mm) diameter aluminum crimped cross joint castings.

Hammock: Rubber

ANCHORS TYPE

Concrete poured in 12"Ø sonotube.

The concrete used for the foundation be minimum 25 Mpa at 28 days with entrained air.

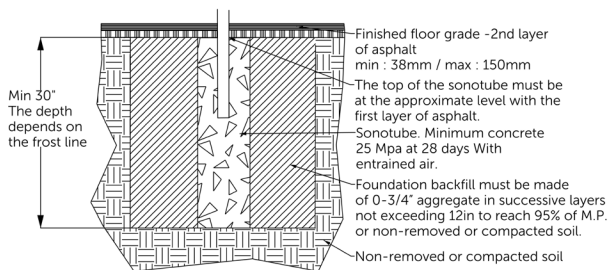
The foundation backfill must be made of 0-3/4" aggregate in successive layers not exceeding 12in to reach 95% of M.P.

PLAY VALUE

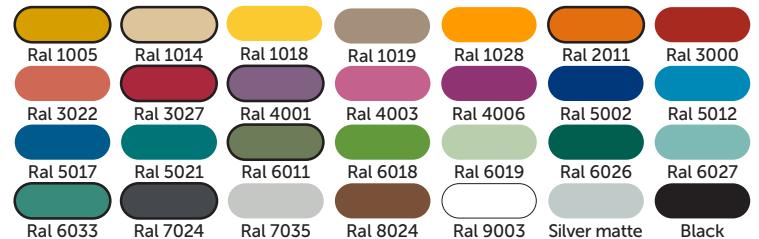
This play equipment provides challenging play, where kids can gather, develop their motor and social skills and have fun!

This equipment can be mixed and matched with other items of the Netscape line to create an infinity of unique environments for kids to play.

INSTALLATION DETAILS



AVAILABLE COLORS - STRUCTURE



AVAILABLE COLORS - CABLES

