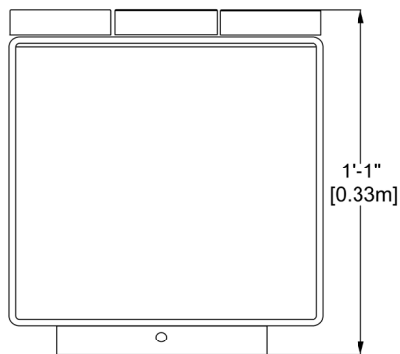
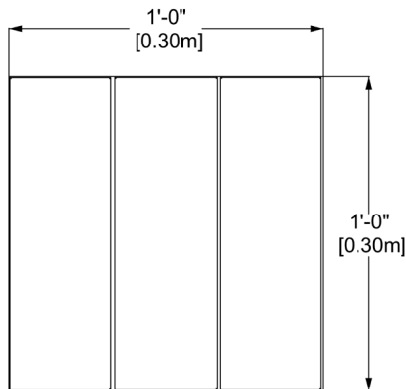


Cubic Bench

Wood Top

EP-UFS-FUN2001



CHARACTERISTICS

Versatile equipment for public spaces or outdoor classrooms.
 Assembly dimensions: 1' x 1' x 1'-1" (0.30m x 0.30m x 0.33m)

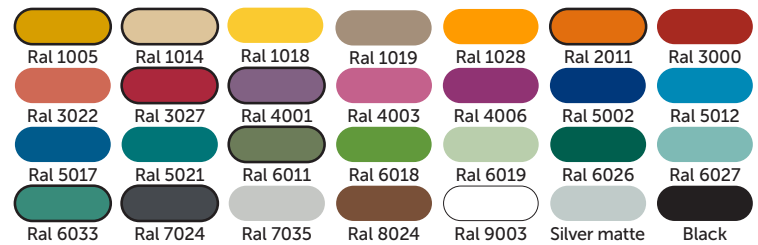
MATERIALS

Structure: galvanized steel and powder coated paint;
Seating: natural wood, plastic wood or recycled plastic.

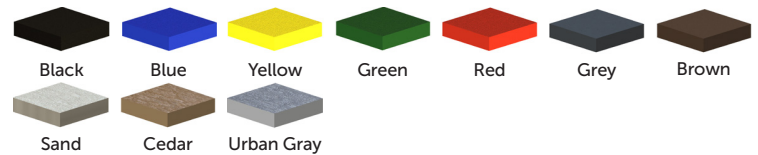
ANCHOR TYPE

Mechanical anchors in concrete slab.

AVAILABLE COLORS - PAINT



AVAILABLE COLORS - PLASTIC



AVAILABLE COLORS - WOOD

