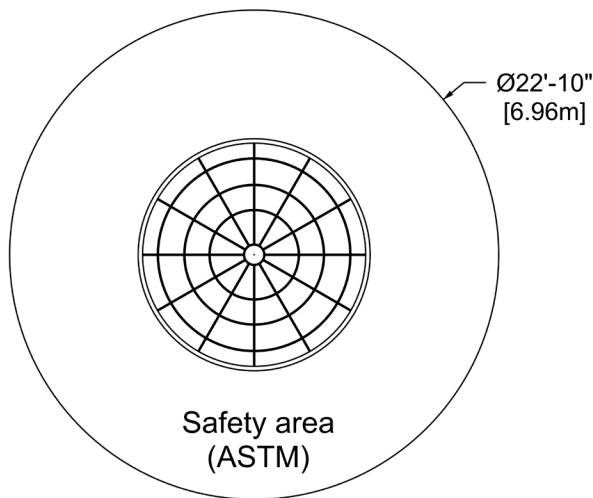
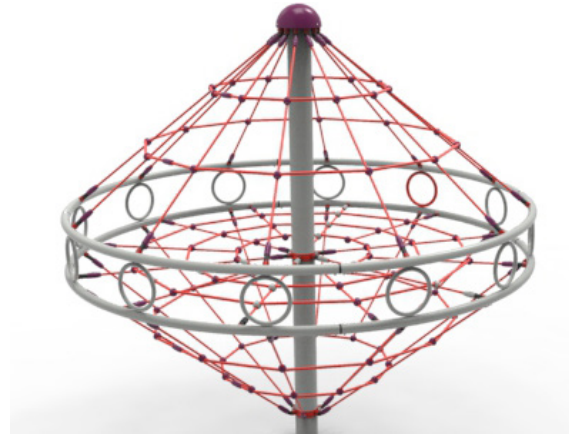


Spinneround Top without deck

EP-SS-ERT1100S (ASTM)



CHARACTERISTICS

Age group : 5-12 years old

Fall height : 8'-9" (2.66m)

Capacity : 10

Safety zone : 22'-10" (6.96m)

The equipment is designed to be installed in 12" (0.30m) of shock absorbing material.

MATERIALS

Inner Post : heavy-duty galvanized steel;

Outer Post, Hardware and Fasteners : powder coated stainless steel*;

Rings : rolled aluminum tubing;

Cap : half-sphere aluminum*;

Cables : braided UV-resistant nylon over seven (7) galvanized steel cables; 0,8" (20mm) diameter;

Cable Hardware : cast aluminum*;

Rotational Device : maintenance-free, self-lubricated nylon.

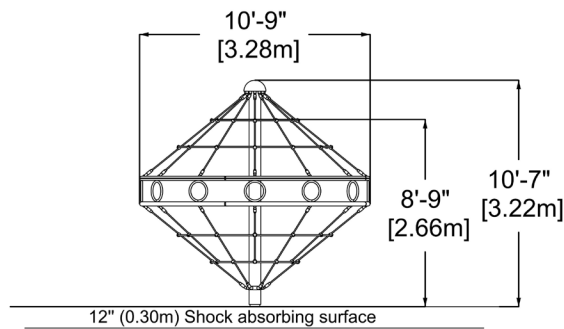
*All painted parts are powder coated with UV-resistant polyester.

ANCHORS TYPE

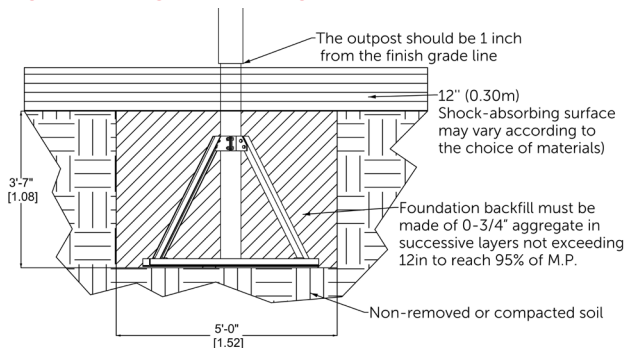
In-ground galvanized steel freestanding footing.

PLAY VALUE

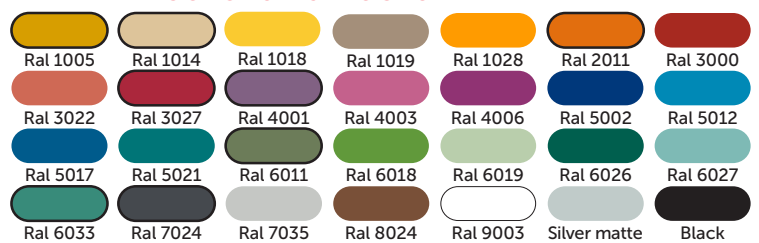
The Spinneround Serie enhance general playful freedom of movement, stability, hanging and running. This equipment favorize group interaction and create high sensory stimulation. Moreover, the moving of the center of mass constitute a highly amusing physical training for its users.



INSTALLATION DETAILS



AVAILABLE COLORS - STRUCTURE



AVAILABLE COLORS - CABLES

