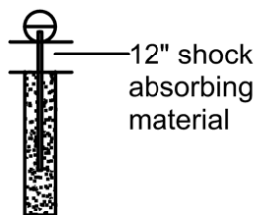
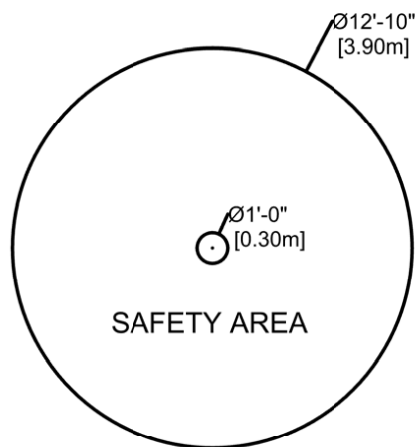


Rubber ball

300mm

EP-CT-NES1033-300



CHARACTERISTICS

Age Group: 5-12 years old

Fall Height: 1'-0" (0.30m)

Capacity: 1

Safety Zone US (ASTM) and Canada (CSA): $\varnothing 12'-10''$ ($\varnothing 3.90m$)

MATERIALS

Anchor rod: Galvanized Steel covered with poured-in-place EPDM rubber mat;

Central Mat: reinforced natural rubber.

ANCHORS TYPE

Concrete poured in 12" sonotube.

The concrete used for the foundation be minimum 25 Mpa at 28 days with entrained air.

PLAY VALUE

Half rubber balls and rubber balls are an opportunity to improve general and playful freedom of movement as well as stability, coordination and gross motor skills.

Can be sold as a group or individually to complete a play area.

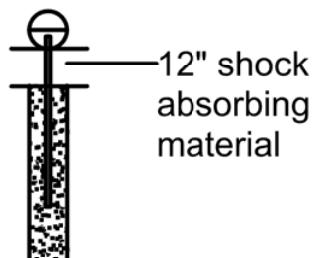
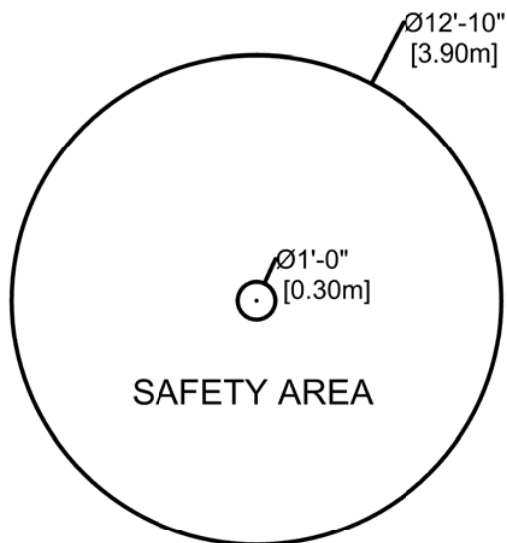
AVAILABLE COLORS



Rubber ball

300mm -Freestanding

EP-CT-NES1033-300-SM



CHARACTERISTICS

Age Group: 5-12 years old

Fall Height: 1'-0" (0.30m)

Capacity: 1

Safety Zone US (ASTM) and Canada (CSA): Ø12'-10" (Ø3.90m)

MATERIALS

Anchor rod: Galvanized Steel covered with poured-in-place EPDM rubber mat;

Central Mat: reinforced natural rubber.

ANCHORS TYPE

Freestanding on steel channel.

PLAY VALUE

Half rubber balls and rubber balls are an opportunity to improve general and playful freedom of movement as well as stability, coordination and gross motor skills.

Can be sold as a group or individually to complete a play area.

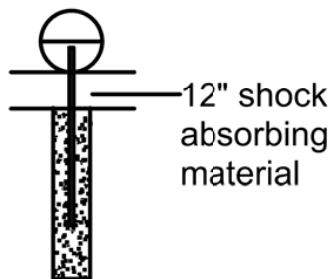
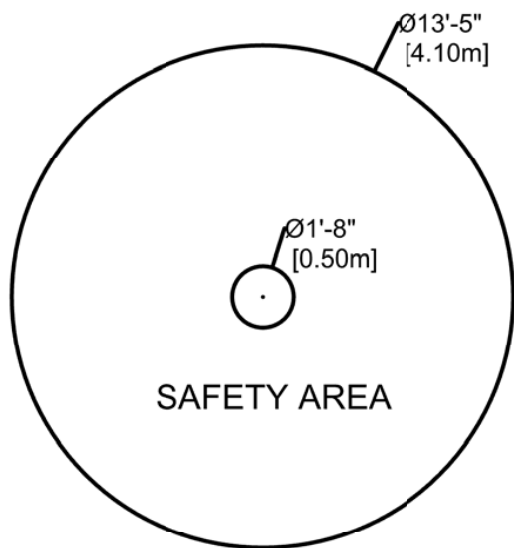
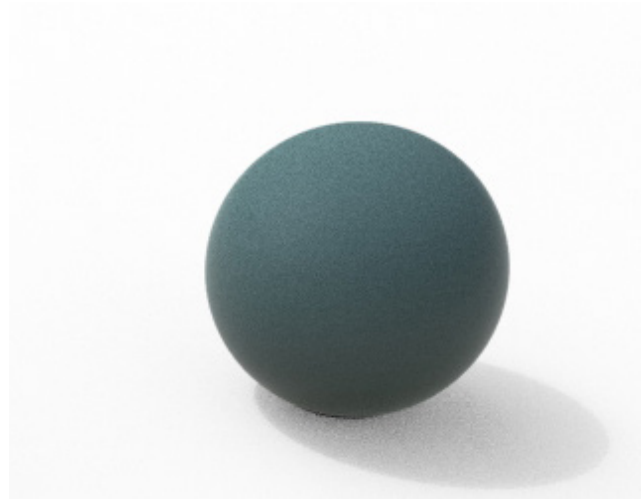
AVAILABLE COLORS



Rubber ball

500mm

EP-CT-NES1033-500



CHARACTERISTICS

Age Group: 5-12 years old

Fall Height: 1'-8" (0.50m)

Capacity: 1

Safety Zone US (ASTM) and Canada (CSA): $\varnothing 13'-5"$ ($\varnothing 4.10m$)

MATERIALS

Anchor rod: Galvanized Steel covered with poured-in-place EPDM rubber mat;

Central Mat: reinforced natural rubber.

ANCHORS TYPE

Concrete poured in 12" sonotube.

The concrete used for the foundation be minimum 25 Mpa at 28 days with entrained air.

PLAY VALUE

Half rubber balls and rubber balls are an opportunity to improve general and playful freedom of movement as well as stability, coordination and gross motor skills.

Can be sold as a group or individually to complete a play area.

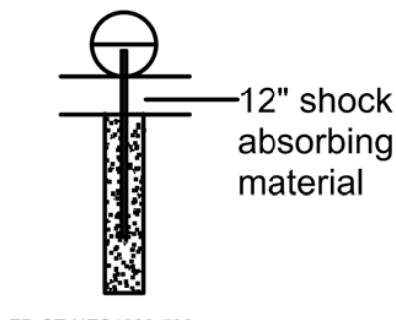
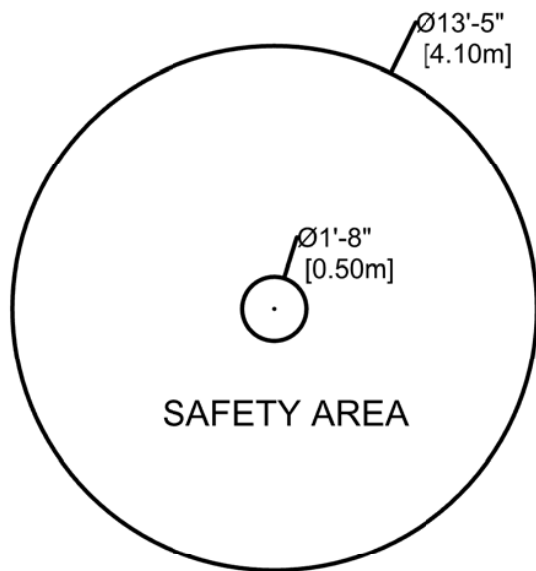
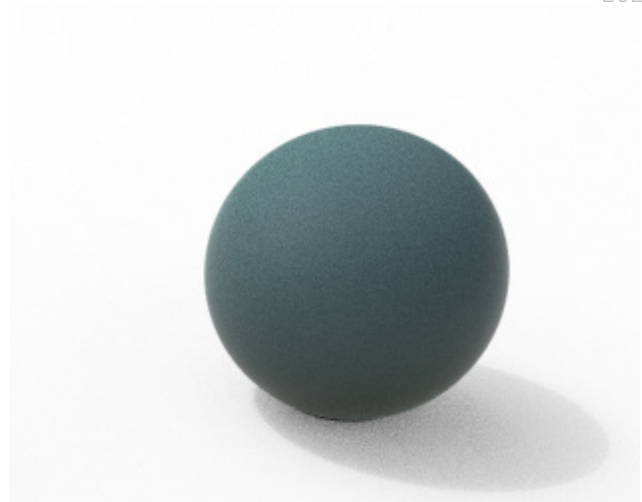
AVAILABLE COLORS



Rubber ball

500mm - Freestanding

EP-CT-NES1033-500-SM



CHARACTERISTICS

Age Group: 5-12 years old

Fall Height: 1'-8" (0.50m)

Capacity: 1

Safety Zone US (ASTM) and Canada (CSA): Ø13'-5" (Ø4.10m)

MATERIALS

Anchor rod: Galvanized Steel covered with poured-in-place EPDM rubber mat;

Central Mat: reinforced natural rubber.

ANCHORS TYPE

Freestanding on steel channel.

PLAY VALUE

Half rubber balls and rubber balls are an opportunity to improve general and playful freedom of movement as well as stability, coordination and gross motor skills.

Can be sold as a group or individually to complete a play area.

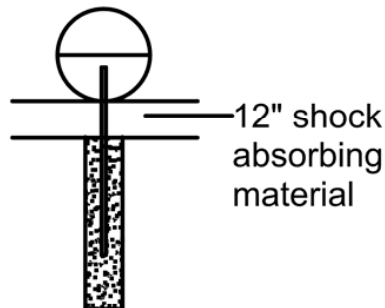
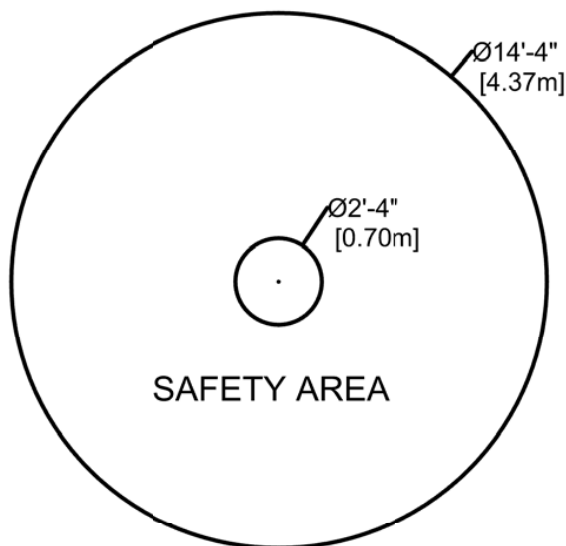
AVAILABLE COLORS



Rubber ball

750mm

EP-CT-NES1033-700-SM



CHARACTERISTICS

Age Group: 5-12 years old

Fall Height: 2'-4" (0.70m)

Capacity: 1

Safety Zone US (ASTM) and Canada (CSA): Ø14'-4" (Ø4.37m)

MATERIALS

Anchor rod: Galvanized Steel covered with poured-in-place EPDM rubber mat;

Central Mat: reinforced natural rubber.

ANCHORS TYPE

Freestanding on steel channel.

PLAY VALUE

Half rubber balls and rubber balls are an opportunity to improve general and playful freedom of movement as well as stability, coordination and gross motor skills.

Can be sold as a group or individually to complete a play area.

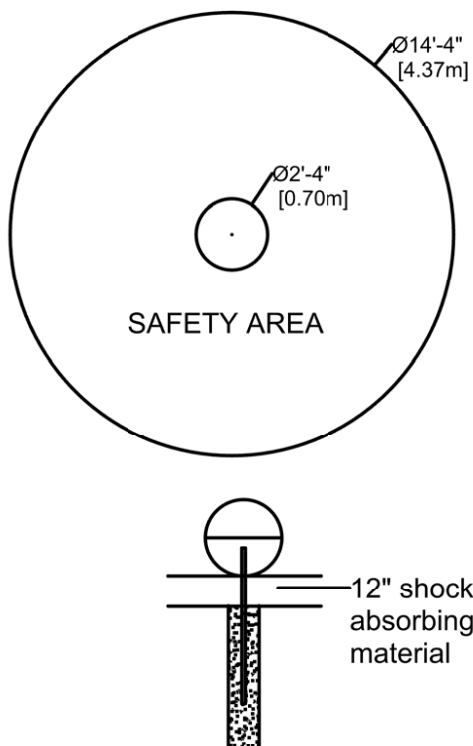
AVAILABLE COLORS



Rubber ball

750mm - Freestanding

EP-CT-NES1033-700-SM



CHARACTERISTICS

Age Group: 5-12 years old

Fall Height: 2'-4" (0.70m)

Capacity: 1

Safety Zone US (ASTM) and Canada (CSA): Ø14'-4" (Ø4.37m)

MATERIALS

Anchor rod: Galvanized Steel covered with poured-in-place EPDM rubber mat;

Central Mat: reinforced natural rubber.

ANCHORS TYPE

Freestanding on steel channel.

PLAY VALUE

Half rubber balls and rubber balls are an opportunity to improve general and playful freedom of movement as well as stability, coordination and gross motor skills.

Can be sold as a group or individually to complete a play area.

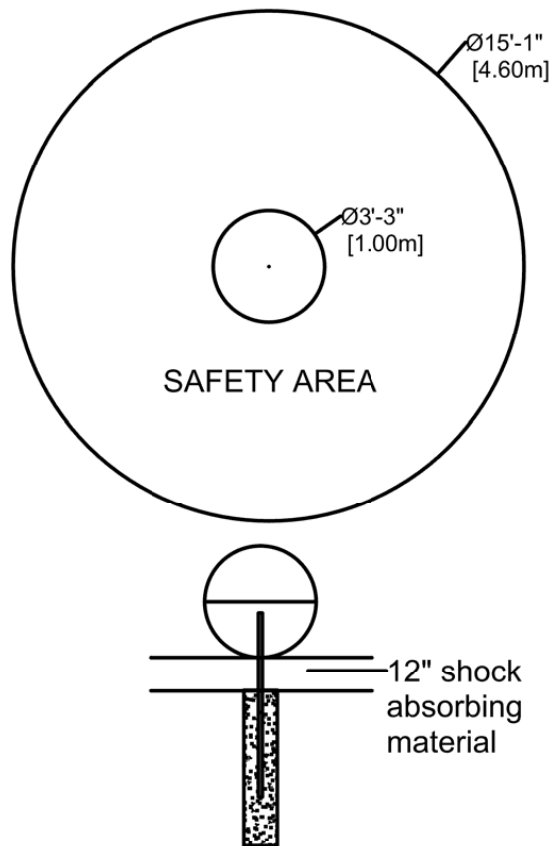
AVAILABLE COLORS



Rubber ball

1000mm

EP-CT-NES1033-1000



CHARACTERISTICS

Age Group: 5-12 years old

Fall Height: 3'-3" (1.00m)

Capacity: 1

Safety Zone US (ASTM) and Canada (CSA): Ø15'-1" (Ø4.60m)

MATERIALS

Anchor rod: Galvanized Steel covered with poured-in-place EPDM rubber mat;

Central Mat: reinforced natural rubber.

ANCHORS TYPE

Concrete poured in 12" sonotube.

The concrete used for the foundation be minimum 25 Mpa at 28 days with entrained air.

PLAY VALUE

Half rubber balls and rubber balls are an opportunity to improve general and playful freedom of movement as well as stability, coordination and gross motor skills.

Can be sold as a group or individually to complete a play area.

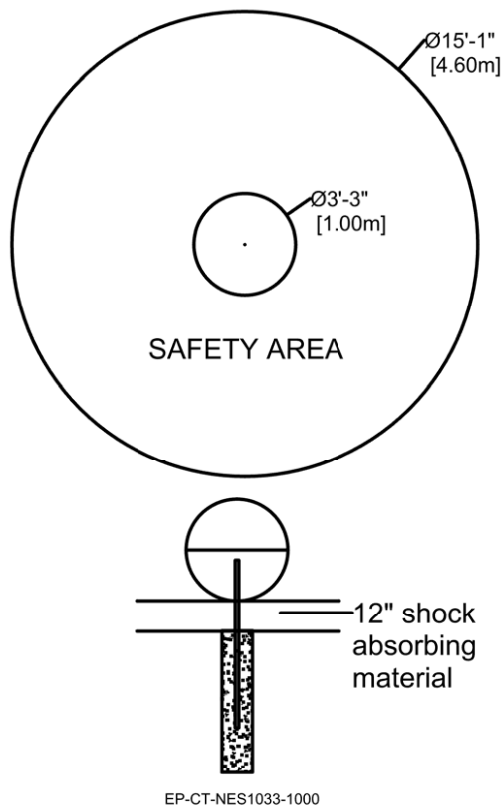
AVAILABLE COLORS



Rubber ball

1000mm - Freestanding

EP-CT-NES1033-1000-SM



CHARACTERISTICS

Age Group: 5-12 years old

Fall Height: 3'-3" (1.00m)

Capacity: 1

Safety Zone US (ASTM) and Canada (CSA): Ø15'-1" (Ø4.60m)

MATERIALS

Anchor rod: Galvanized Steel covered with poured-in-place EPDM rubber mat;

Central Mat: reinforced natural rubber.

ANCHORS TYPE

Freestanding on steel channel.

PLAY VALUE

Half rubber balls and rubber balls are an opportunity to improve general and playful freedom of movement as well as stability, coordination and gross motor skills.

Can be sold as a group or individually to complete a play area.

AVAILABLE COLORS

