



Trimble Zephyr 3 Rover Antenna

PRECISE AND DURABLE WITH MILLIMETER ACCURACY

The top of the range Trimble® Zephyr™ Rover antennas contain advanced technology for multipath reduction, outstanding low elevation satellite tracking and millimeter phase center stability.

COMPREHENSIVE GNSS SUPPORT

The Trimble Zephyr 3 rover antenna offers full support for current and near-future GNSS signals including GPS, GLONASS, Galileo, BeiDou, QZSS, IRNSS, OmniSTAR, Trimble RTX and SBAS.

TRIMBLE ZEPHYR 3 ROVER

The Trimble Zephyr 3 Rover is a high performing lightweight GNSS rover antenna optimized for precision RTK and roving applications. It minimizes multipath and offers robust low elevation tracking and millimeter phase center repeatability.

Key Features of the Zephyr 3 Rover:

- ▶ Additional Iridium filtering above 1616MHz allows antenna to be used as close as 20m of Iridium transmitter
- ▶ Additional filtering below 1510MHz allows for antenna placement closer to Japanese LTE cell tower
- ▶ Advanced LNA (low noise amplifier) to reduce interference by high power out-of-band transmitters
- ▶ 50dB signal gain for reliable tracking in challenging environments and long cable runs

Key Features

- ▶ Comprehensive GNSS support, including GPS Modernization signals, GLONASS, BeiDou and Galileo
- ▶ Robust low-elevation satellite tracking
- ▶ Minimized multipath
- ▶ Millimeter phase center repeatability
- ▶ Additional Iridium and Japanese LTE filtering
- ▶ High signal gain (50 dB) for reliable tracking
- ▶ 5/8" - 11 stainless steel mounts



Trimble Zephyr 3 Rover Antenna

TECHNICAL SPECIFICATIONS

- Comprehensive GNSS Tracking:
 - GPS: L1, L2, L5
 - GLONASS: L1, L2, L3
 - BeiDou: B1, B2, B3
 - Galileo: E1, E5a, E5b, E6
 - QZSS: L1, L2, L5, LEX
 - IRNSS: L5
 - SBAS: WAAS, EGNOS, GAGAN, and MSAS
 - MSS: OmniSTAR, Trimble RTX
- Quality signal tracking, even at low elevations
- Four point antenna feed for phase center stability and enhanced polarization
- Powered by GNSS receiver via coaxial cable

ENVIRONMENTAL QUALIFICATIONS

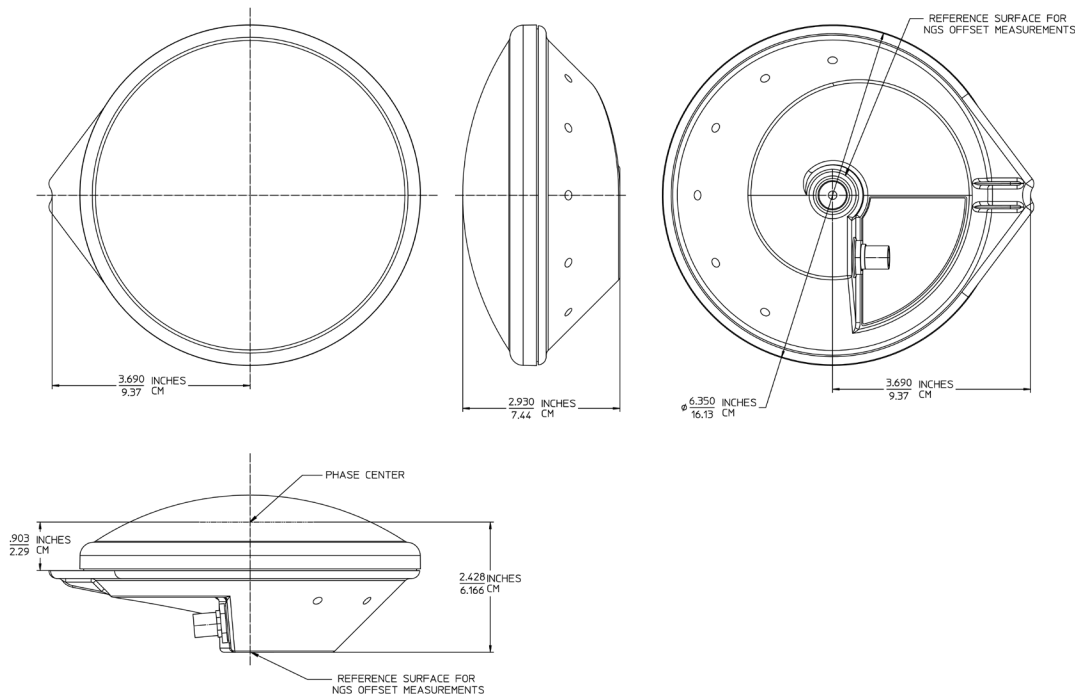
Operating Temperature. . . -40 °C to +85 °C (-40 °F to +185 °F)
 Humidity 100% humidity proof, fully sealed, IP67
 Shock and Vibration
 Tested and meets the following environmental standards:
 Shock: MIL-STD-810-F to survive a 2 m (6.56 ft) drop onto concrete
 Vibration: MIL-STD-810-F on each axis
 Compliance CE compliant including ISO 13766:2006, 2014/45/EU (RED), EN 60950, E-Mark and RoHS, FCC, IC and RCM compliant

PHYSICAL AND ELECTRICAL SPECIFICATIONS

Dimensions 16.5 cm diameter x 7.6 cm height (6.5 in diameter x 3 in height)
 Weight 0.64 kg (1.4 lb)
 Input Voltage 3.5 V DC to 20 V DC
 MSS Narrow Band Mode (1555 to 1559 MHz): >6.4 V DC to 9 V DC
 MSS Wide Band Mode (1525 to 1559 MHz): 3.5 V DC to 6.0 V DC and 9.4 V DC to 20 V DC
 Input Current 125 mA
 Signal Gain 50 dB
 Signal Connector TNC Female
 Mounting 5/8" - 11 Female Thread

PART NUMBERS

105000-50-INT Zephyr Model 3 Rover Antenna
 Specifications subject to change without notice



Contact your local dealer today

TRIMBLE
 Integrated Technologies
 510 DeGuigne Drive
 Sunnyvale, CA 94085
 Americas & Asia-Pacific
 Europe/EMEA

Email: sales-intech@trimble.com

© 2019, Trimble Navigation Limited. All rights reserved. Trimble logo are trademarks of Trimble, registered in the United States and in other countries. All other trademarks are the property of their respective owners. (08/19)