



# Trimble GA830 Antenna

## RUGGEDIZED ANTENNA FOR LAND AND MARINE APPLICATIONS

The Trimble GA830 GNSS antenna is designed to support centimeter-level accuracy for land and marine applications. The 5/8" x 11 female threaded mount and rugged enclosure allows the antenna to be used in harsh conditions.

### COMPREHENSIVE GNSS SUPPORT

The Trimble GA830 antenna offers full support for current and near-future GNSS signals from GPS, GLONASS, Galileo, BeiDou, QZSS and IRNSS as well as L-Band for OmniSTAR and Trimble RTX. Additionally, the GA830 offers MSK beacon support for marine applications.

### ROBUST, LOW-MULTIPATH GPS ANTENNA

The GA830 antenna provides improved signal to noise ratio and optimal low-elevation satellite tracking. High rejection RF filtering further reduces the effects of iridium transmission. Combined with ruggedized housing, GA830 is the ideal antenna for precision RTK position and heading applications for land and marine use.

### Key Features

- ▶ Comprehensive GNSS support
- ▶ Robust low-elevation satellite tracking
- ▶ Additional Iridium filter
- ▶ OmniSTAR and Trimble RTX support
- ▶ Ruggedized enclosure for tough environments
- ▶ MSK beacon support



Part Number: 44830-00-INT



Part Number: 44830-10

# Trimble GA830 GNSS Antenna

## TECHNICAL SPECIFICATIONS

- Comprehensive GNSS Tracking:
  - GPS: L1, L2, L5
  - GLONASS: L1, L2, L5
  - Galileo: E1, E5a, E5b, E6
  - BeiDou: B1, B2, B3
  - IRNSS: L5
  - QZSS: L1, L2, L5 LEX
  - SBAS: WAAS, EGNOS, GAGAN, and MSAS
  - MSS: OmniSTAR, Trimble RTX
  - MSK Beacon: 283.5 - 325.0 kHz
- Additional rejection between 1614 - 1624 MHz to protect from Iridium transmission
- Robust low elevation satellite tracking
- Improved signal to noise ratio
- Rugged housing ideal for marine and land applications in harsh environments

## ENVIRONMENTAL QUALIFICATIONS

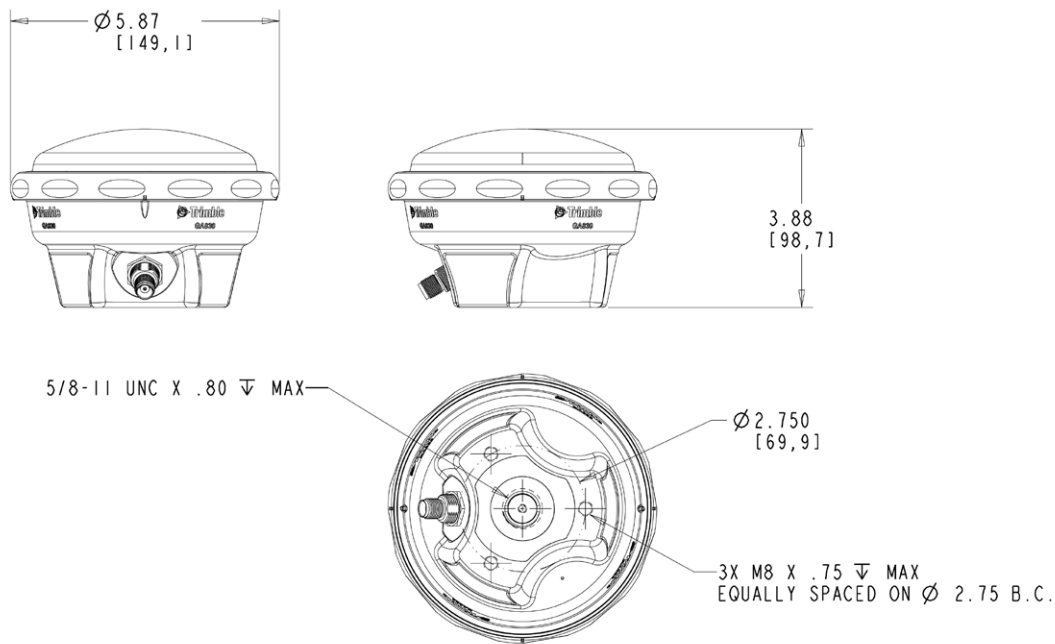
- Shock:
- 75 Gs, 6ms Duration, 3 shocks in mutually perpendicular axes 2m pole drop, 1m handling drop
- Vibration:
- 9.8 gRMS, 24-2000 Hz
- Buoyant
- Humidity:
- 100% humidity proof, Fully Sealed

## PHYSICAL AND ELECTRICAL SPECIFICATIONS

Dimensions	14.9 cm diameter x 9.8 cm height (5.87 in diameter x 3.88 in height)
Weight	0.82 Kg (1.8 lb)
Operating Temperature	-40 °C to +70 °C (-40 °F to +158 °F)
Storage Temperature	-55 °C to +85 °C (-67 °F to +185 °F)
Antenna Cable Connector	TNC Sealed
Mounting	5/8"- 11 UNC Thread Sealed 3 x M8 Threaded Hole Surface Mount
Power	110 mA Max
Feed	2 point
DC Bias Voltage	3.3 - 15 VDC
LNA Gain	45 dB
Antenna Compliance	CE Mark, C-Tick, EN60945
Phase Stability	<5 mm
L1 APC	0.0885 m above bottom of the antenna mount

## PART NUMBERS

44830-00-INT	Trimble GA830 (Yellow)
44830-10	Trimble GA830 (Grey, Unbranded)



Specifications subject to change without notice.

Contact your local dealer today

TRIMBLE INC  
 OEM GNSS Division  
 935 Stewart Drive  
 Sunnyvale, CA, USA

Website: [oemgnss.trimble.com](http://oemgnss.trimble.com)  
 Email: [sales-intech@trimble.com](mailto:sales-intech@trimble.com)

Specification subject to change without notice.