



# Trimble AG25 Antenna

## PRECISION GNSS ANTENNA FOR LAND APPLICATIONS

Trimble AG25 GNSS antenna is designed to support high precision land applications. Designed for quick installation, the Trimble AG25 antenna is equipped with a magnetic attachment for simple mounting onto any metal surfaces.

### COMPREHENSIVE GNSS SUPPORT

The Trimble AG25 antenna offers full support for current and near-future GNSS signals from GPS, GLONASS, Galileo, BeiDou, QZSS, IRNSS, OmniSTAR, Trimble RTX and SBAS.

#### Key Features of Trimble AG25:

- ▶ Equipped with a mag switch to allow users to change between MSS wideband and narrowband
- ▶ Magnetic mount allows for the easy install and removal of the antenna

### Key Features

- ▶ Comprehensive GNSS support, including GPS modernization signals, GLONASS, BeiDou, Galileo, QZSS and IRNSS
- ▶ OmniSTAR and RTX Support
- ▶ Supports MSS narrowband and wideband
- ▶ Rugged and 100% humidity proof



# Trimble AG25 GNSS Antenna

## TECHNICAL SPECIFICATIONS

Comprehensive GNSS Tracking:

- GPS: L1, L2, L5
- GLONASS: L1, L2, L5
- Galileo: E1, E5a, E5b, E6
- BeiDou: B1, B2, B3
- QZSS: L1, L2, L5, LEX
- IRNSS: L5
- SBAS: WAAS, EGNOS, GAGAN, and MSAS
- MSS: OmniSTAR, Trimble RTX

Magnetic switch for narrowband and wideband

- Wideband mode: 1525 - 1614 MHz
- Narrowband mode: 1555 - 1608 MHz

MTBF >150,000 hours

Compliance . . . . . CE compliant including ISO 7637, 2011/65/EU (RED), EN 55022, E-Mark and RoHS, FCC, ICES and RSS compliant

## PHYSICAL AND ELECTRICAL SPECIFICATIONS

Dimensions . . . . . 16.13 cm diameter x 7.5 cm height (6.35 in diameter x 2.95 in height)

Weight . . . . . 0.57 Kg (1.26 lb)

Input Voltage . . . . . 3.4 V DC to 12 V DC

Input Current . . . . . <130 mA

Signal Gain . . . . . 48 dB

Signal Connector . . . . . TNC Female

Mounting . . . . . Magnetic Mounts

## ENVIRONMENTAL QUALIFICATIONS

Operating Temperature . . -40 °C to +70 °C (-40 °F to +158 °F)

Humidity . . . . . 100% humidity proof, fully sealed, IP67

Shock and Vibration

Tested and meets the following environmental standards:

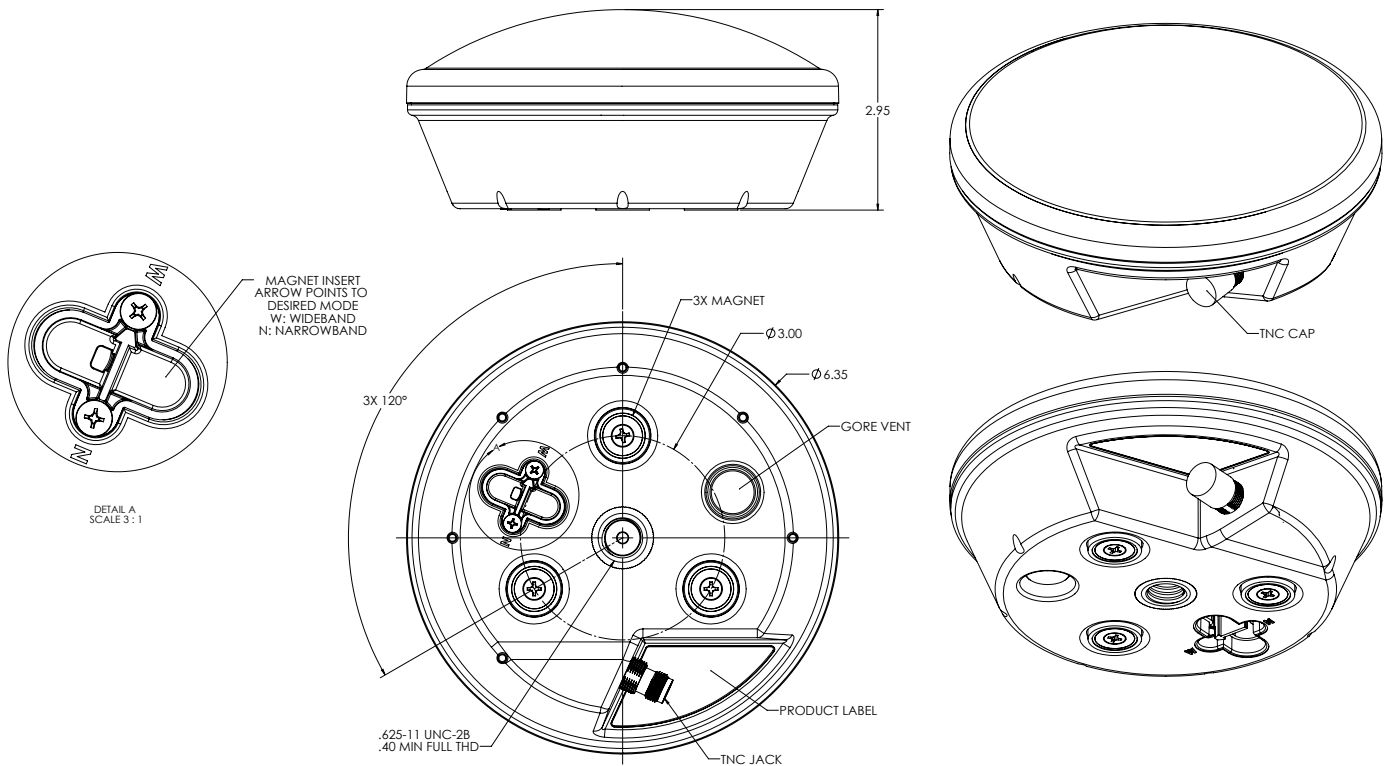
Shock . . . . . MIL-STD-810-F to survive a 2 m (6.56 ft) drop onto concrete

Vibration . . . . . MIL-STD-810-F on each axis

## PART NUMBER

99038-00-INT . . . . . Trimble AG25 Antenna

Specifications subject to change without notice.



Contact your local dealer today

**TRIMBLE**  
 Integrated Technologies  
 510 DeGuigne Drive  
 Sunnyvale, CA 94085  
 Americas & Asia-Pacific  
 Europe/EMEA

Email: sales-intech@trimble.com

© 2020, Trimble Navigation Limited. All rights reserved. Trimble logo are trademarks of Trimble, registered in the United States and in other countries. All other trademarks are the property of their respective owners. (02/20)