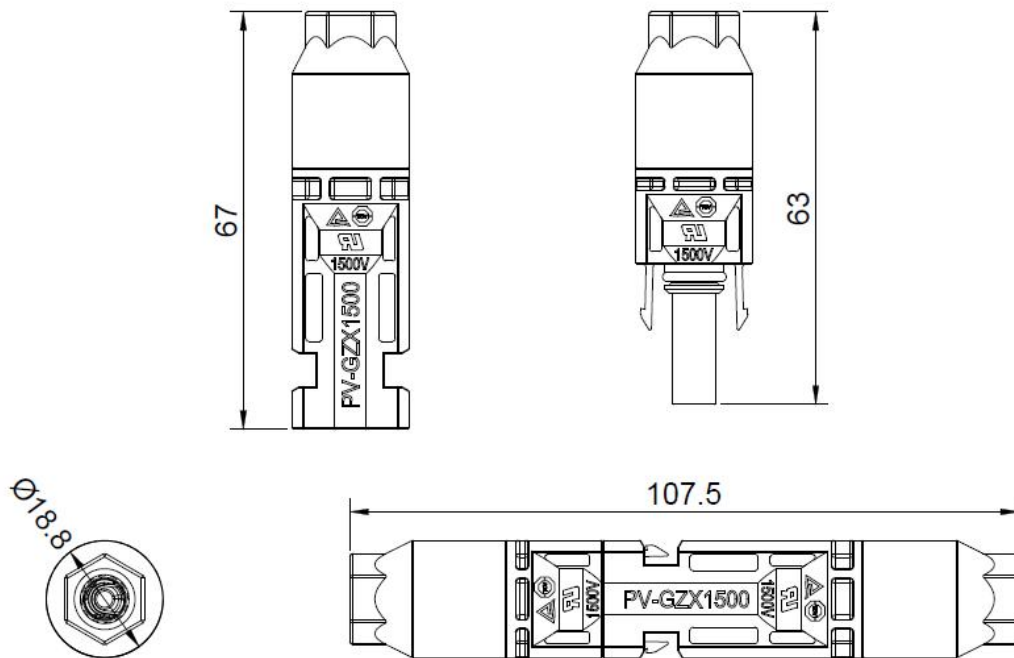




PV-GZX1500 Technical Data/基本技术参数



认证 Certifications	TUV	UL
证书号码 Certificate	No. B 088393 0019	E342564
额定电压 Rated Voltage	1500V	
额定电流 Rated Current	39A	35A
接触电阻 Resistance	$\leq 0.5m\Omega$	
温度范围 Temperature Range	$-40^{\circ}C \sim +85^{\circ}C$	$-40^{\circ}C \sim +90^{\circ}C$
安全等级 Safety Class	Class II/II 级	
防护等级 Protection	IP65/IP68	
线缆尺寸范围 Wire Size Range	$4mm^2$	12AWG
阻燃等级 Flame Resistance	V-0	
绝缘材料 Insulation Material	PC/PP0/PA	
接触材料 Contact Material	Copper Tin-Plated/铜镀锡	
外形尺寸 Overall Size	Negative: $67 \times 18.8mm$ Positive: $63 \times 18.8mm$ After connection: $107.5 \times 18.8mm$	
搭配线缆外径 Match the outer diameter of the cable	$5.6mm \sim 6.2mm$	$6.0mm \sim 6.4mm$



警告 Warning

1 在自行安装时，如果所有的零件和工具不是 PV-GZX1500 所规定的，或者忽略了准备和安装操作，我们将不保证产品

安全性和技术参数一致性。

During yourself installation, if the used part and tool are not ruled by PV-GZX1500 or if you ignore the preparation and operation, we won't insure the safety and compatible of the product technology yourself installation.

2 为防止电击，在拆装时 PV 连接器必须断开电源。

For protecting against electric shock, please cut off the power when installing PV connector.

3 终端产品必须提供防电击功能。

The final products must be supplied with the function electric shock proof.

4 不建议使用 PVC 电缆。PVC Cable is not recommended.

5 在负载情况下拔出：在有负载的情况下，不能拔出 PV 插头连接器！关掉 DC/AC 直流-交流变频器或打开 DC 交流电路断路器，使 PV 接头连接器处于无负载的状态，则可在允许范围内带电插拔。

Don't pull out the PV connector under loading. Turn off the DC/AC inverter or tum on DC circuit interrupter, making PV connector in unloading. Then insert and extract under voltage is permitted.

6 建议不要使用无镀锡电缆，因为电缆铜线被氧化后，压接部位的接触电阻可能会超过允许值。

H07RN cables without tinned are not recommended. Because the contact resistance of crimping place will probably exceed the permitted value since the copper wires are oxidized.

7 断开的连接器必须使用防护帽，以防止灰尘、水或其他异物进入。

Sealing cap must be used for disconnected connector, avoiding dust and water.

8 连接器内腔不可有昆虫或其它脂类异物进入，需观察确认产品内腔清洁后方可对插。

No insects or other lipid foreign bodies can enter the inner cavity of the connector. Please observe and confirm that the inner cavity of the product is clean before inserting

9 插入部件防水等级 IP68。它们不能长久置于水下使用。不要将 PV-GZX1500 连接器放在屋顶表面。

Waterproof degree for inserted parts is IP68. They can't be put under water for long time. Don't put PV-GZX1500 connector on the roof of surface.

10 产品不得在含有烃、酚、酮、氨合物等与塑料有腐蚀的环境中使用。安装过程中，禁止在连接器里添加或涂抹任何油脂及润滑剂。

Do not use under hydrocarbon, phenol, Ammine and plastic corrosive environment. During installation process, do not add any grease and lubricant in the connector.