

Switching device combination - SOL-SC-1ST-0-DC-1MPPT-1001 - 2404298

Please be informed that the data shown in this PDF Document is generated from our Online Catalog. Please find the complete data in the user's documentation. Our General Terms of Use for Downloads are valid (<http://phoenixcontact.com/download>)



String combiner box for photovoltaic systems up to 1000 V DC for the connection of 1x 1 string. With surge protection and SUNCLIX DC connector for the input and output side.

Product Description

The Solarline string combiner boxes (SCBs) are used in both small rooftop systems and large ground-mounted systems. Their functions include collecting and protecting strings and, if necessary, separating the panels from the rest of the system by means of a fire service or switch disconnectors.

Why buy this product

- Fast installation and startup
- Large portfolio of string combiner boxes in stock
- Application-oriented consultation
- Standard-compliant switchgear and controlgear assembly, thanks to use of DIN EN 61439



Key Commercial Data

Packing unit	1 STK
GTIN	
GTIN	4055626396231
Weight per piece (including packing)	5.000 kg
Custom tariff number	85363030
Country of origin	Germany
Sales Key	V1 - Terminl Blocks+Boxes

Technical data

System parameter

System voltage	1000 V DC (U_{max})
Number of string inputs	1
Current per string	40 A (I_{max})
Number of outputs	1

Switching device combination - SOL-SC-1ST-0-DC-1MPPT-1001 - 2404298

Technical data

System parameter

Number of supported MPP trackers	1
----------------------------------	---

Safety equipment

Surge protective device	T1 / T2
Protection level U_p	≤ 3.5 kV
Total discharge current I_{total} (8/20) μ s	40 kA
Total discharge current I_{total} (10/350) μ s	5 kA

Cable entry

Type of cable entry	SUNCLIX
Cable cross section string input	2.5 mm ² ... 6 mm ²
Cable cross section output	2.5 mm ² ... 6 mm ²
Cable cross section grounding	16 mm ² (2x)
Sealing area grounding	6 mm ... 12 mm (2x)

General data

Housing material	Polycarbonate
Material cover/door	Polycarbonate (transparent)
Degree of protection	IP65
Protection class	II

Dimensions

Width	130 mm
Height	180 mm
Depth	111 mm
Note on dimensions	Housing dimensions

Ambient conditions

Ambient temperature (operation)	-20 °C ... 55 °C
---------------------------------	------------------

Drawings

Schematic diagram



Connection of the protective grounding conductor

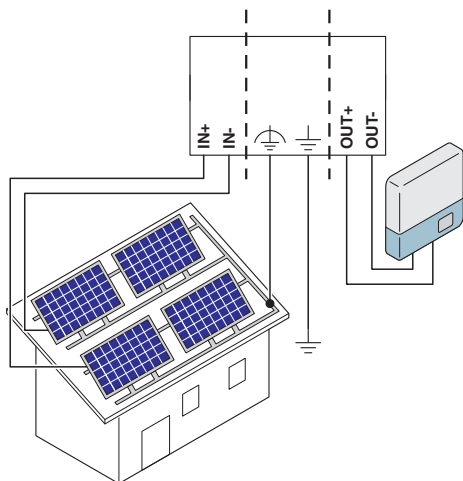
Schematic diagram



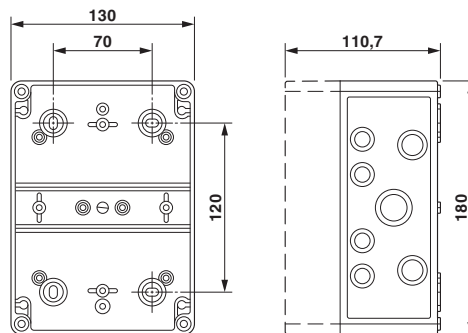
Connection of the protective equipotential bonding conductor

Switching device combination - SOL-SC-1ST-0-DC-1MPPT-1001 - 2404298

Connection diagram



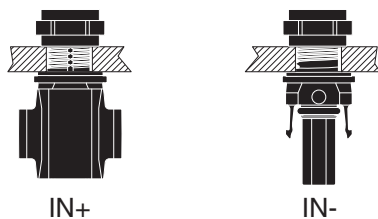
Dimensional drawing



Housing dimensions

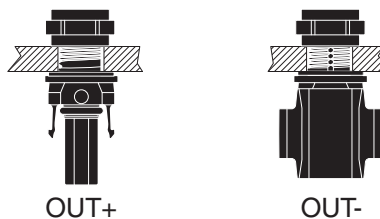
Schematic application drawing

Schematic diagram



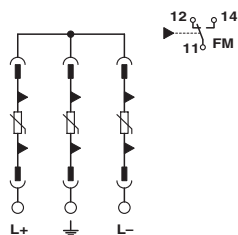
Connection of the PV string

Schematic diagram



Connection to the inverter

Circuit diagram



Connection of the remote indication contact on the surge protection

Classifications

eCl@ss

eCl@ss 5.1	27371890
eCl@ss 8.0	27142422
eCl@ss 9.0	27142422

Switching device combination - SOL-SC-1ST-0-DC-1MPPT-1001 - 2404298

Classifications

ETIM

ETIM 4.0	EC000816
ETIM 5.0	EC000268
ETIM 6.0	EC000268