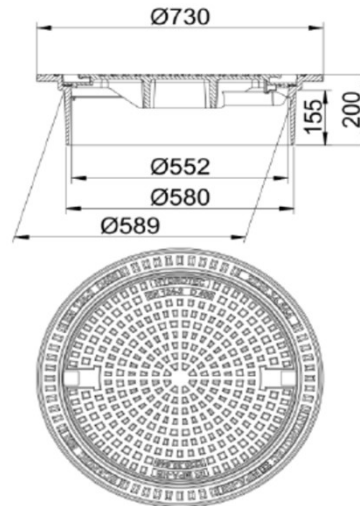


# ANRIN HYDROTEC

SCANDIC SN 600

ISO 9001-2015



SA0635-ZB-02

Reference	Class	Standard	Material	Weight	Sold by Pallet
89463510	D 400	DIN EN 124	EN-GJS	ca. 85 kg	5

## SCANDIC SN 600

The intelligent solution of self-leveling/floating frame. Loading class D400 for use on carriageways of roads for areas with medium traffic (MT).

### Frame

- self-levelling / roll-in frame
- becomes an integrated part of the road surface
- relief on the shaft of up to 60%
- suitable for shafts of dia. 600mm!

### Insert

- HYDROpen, changeable dampening insert
- long life, high abrasion stability for extreme loads

### Locking

- innovative 2 point spring locking system
- hinders unauthorised opening = anti-theft
- through the positioning of the locking points the cover is centred in the frame and is frictionally locked

### Options

- Frame SN H=275mm
- Frame flange H = 100 / 160mm
- Frame square SN H=170mm
- Cover pur D400
- Cover C250 / Inlet Grating - D400

optimised cover design



2 point locking system



ANRIN Nordic AB  
Telivägen 8  
14941 NYNÄSHAMN



[info@hydrotec.se](mailto:info@hydrotec.se)



+46-(0)10-209 9 209



[www.hydrotec.se](http://www.hydrotec.se)