

# Compact Converger

## The simple economical way to converge packs

Where cost and space are at a premium and performance is essential



**consol**  
CONVERGING SOLUTIONS

# Versatile by design Compact Converger

Setting new standards of performance and versatility



## All Compact Convergents Feature:

- Command control module conveniently situated for ease of setup
- Direct link to the Thermoformer or Independently operated, allowing total flexibility as a standalone machine or as part of the Packaging machine.
- Pack Pitching is done automatically with the maximum pitch displayed on the screen
- Tortoise and Hare speed control, for simple adjustments
- SCADA control option with remote control, remote diagnostics and support.
- Multi Format machines
- Modular Design allows future product additions to be handled by the system
- Rapid Product changeovers for Multifformat applications
- Full line control systems for full line integration
- High level of hygiene and ease of cleaning
- Adjustable infeed to cater for various draw depths

## Powered Converging Rails:

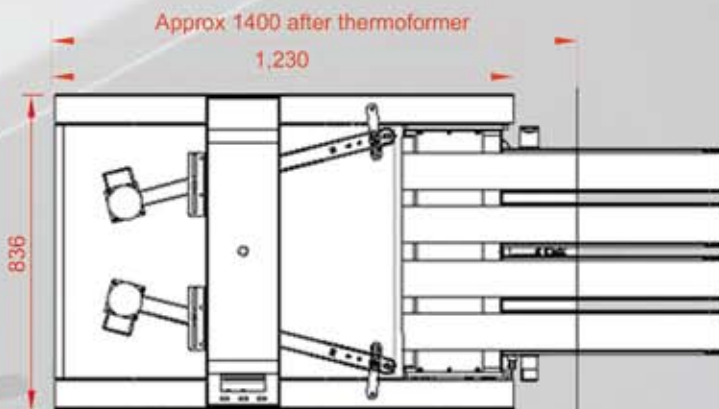
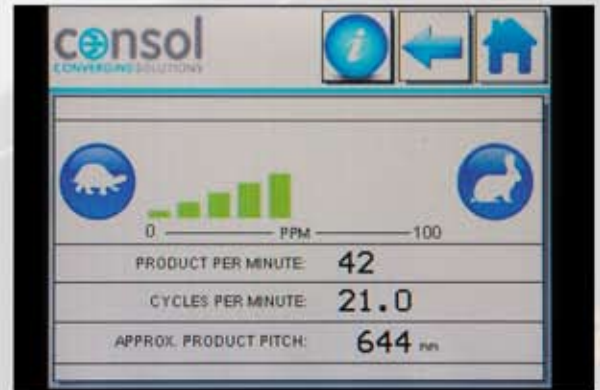
- Powered rails, with automatic belt tensioning
- Straight design ensuring no "pack lag" when handling packs at speed
- Prevents packs turning while converging/inlining
- Fully adjustable to suit a wide range of packs

## Versatility:

- We have over 10 years experience manufacturing Converging equipment
- Standard and special applications can be catered for
- Suitable for interfacing to all types of Thermoformers
- Twin output options for high speed lines
- Synchronising options for handling un-synchronised pack feeds

## Services Required:

<b>Power Supply:</b> 230VAC 50/60 Hz	<b>Power Consumption:</b> 16 Amps	<b>Air Supply:</b> 4 Bar clean dry air
<b>Air consumption:</b> 1 litre per minute	<b>Height: 850mm +/- 50mm</b>	<b>Protection: IP65</b>



**consol**  
CONVERGING SOLUTIONS

Converging Solutions Ltd, Unit 13 Waterloo Park  
Bidford on Avon, Warwickshire B50 4JG

TEL: +44 (0)1789 491144  
FAX: +44 (0)1789 491155

sales@convergingsolutions.co.uk  
www.convergingsolutions.co.uk