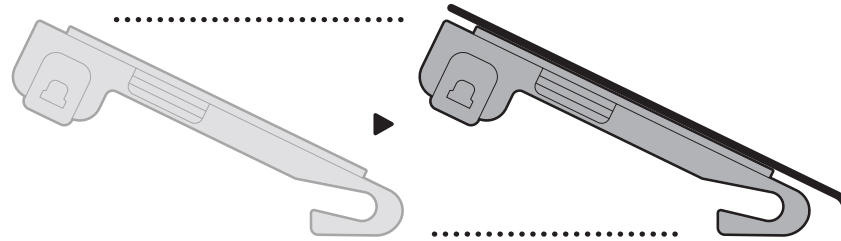


Install the holder.

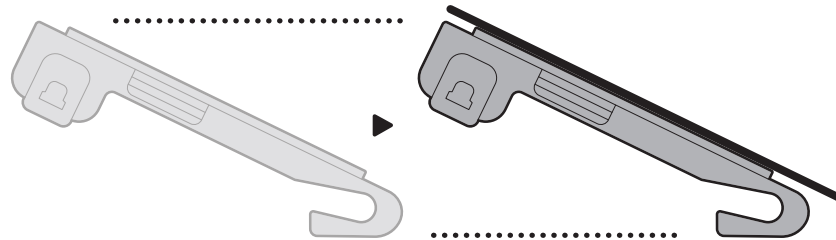
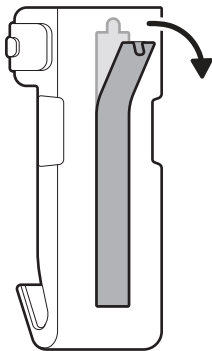
1. Clean your windshield surface and remove any residue.

2. Use the holder to test fit a location where the bottom of the windshield and the base of the dashboard meet. Do not wedge forcefully.



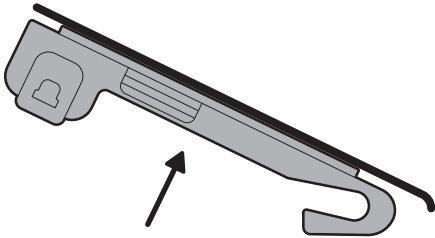
NOTE: If your vehicle has a central sensor on the dash, place the holder on either side of the sensor to avoid blocking it.

3. Peel off the protective strip to expose the adhesive and install the holder flush against the windshield in the desired position.



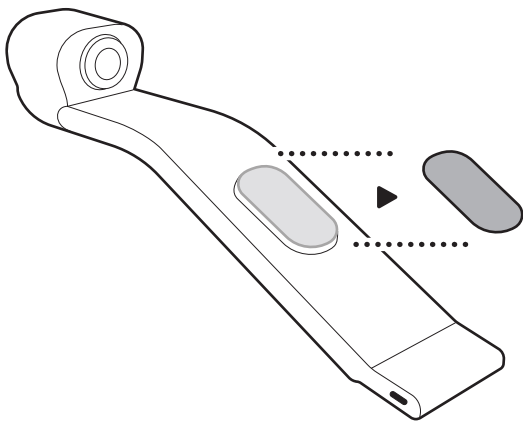
NOTE: Once installed, the adhesive cannot be re-used upon removal.

4. Gently press on the holder for 30 seconds to adhere properly.



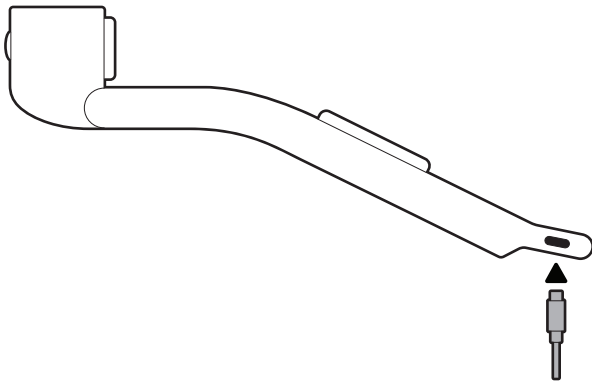
NOTE: If installing under cold conditions, lay the holder on your dash and turn your vehicle's defroster to the highest setting to prime your windshield and the holder adhesive for application. Install once the windshield and holder are warm to the touch. For best results, wait 24 hours for the adhesive to bond fully before installing your camera into the holder.

5. Manually remove the adhesive strip from your camera and dispose.

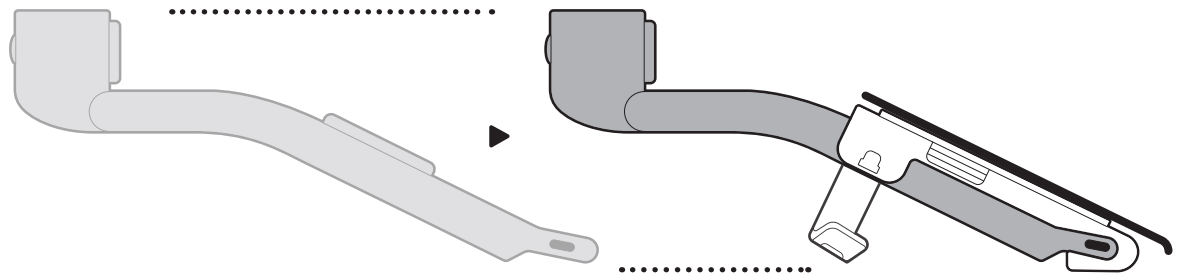
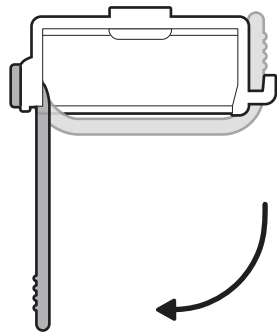


NOTE: For best results, use a flat edge to lift the adhesive strip.

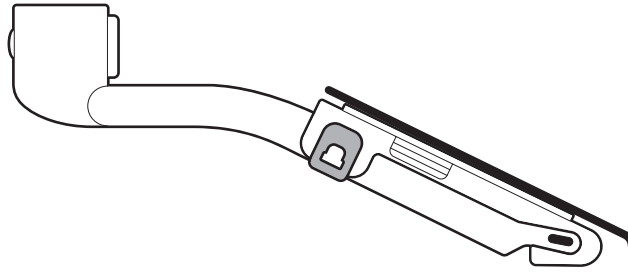
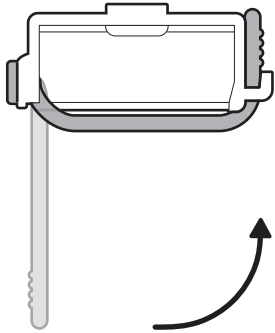
6. Plug the power cable into your camera.



7. Unlatch the strap and fully insert your camera into the holder.

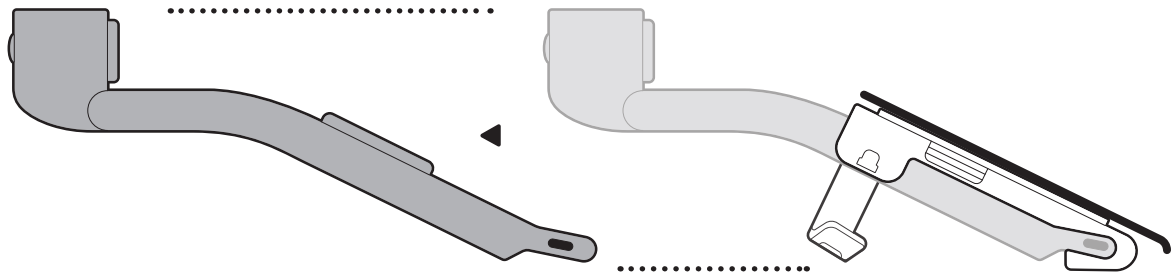
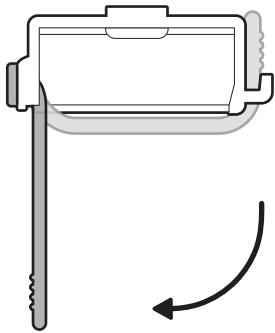


8. Pull the strap across and latch to secure.

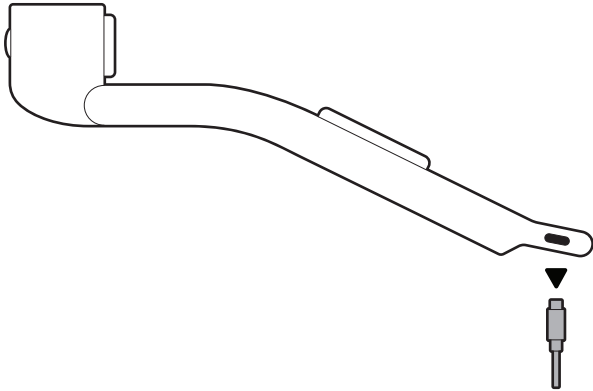


Remove the holder.

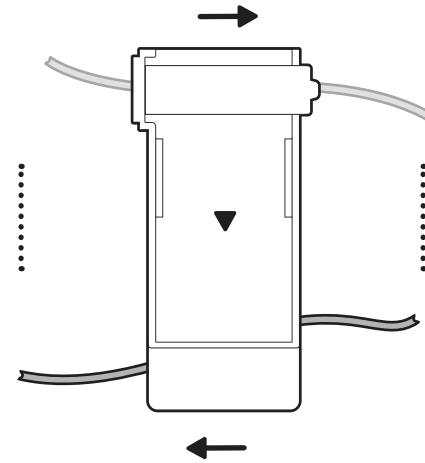
1. Unlatch the strap and remove your camera from the holder.



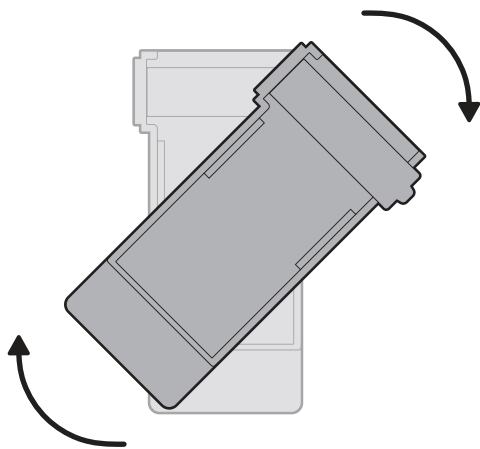
2. Unplug the power cable from your camera.



3. Use dental floss to cut through the adhesive pad with a back-and-forth sawing motion from the top to the bottom.



4. If the mount is still attached to your windshield, twist gently to remove.



 ring.com/callus

 ring.com/help