



Passione in Cucina



Product code:

**C9E0B0091C**

---

Product:

**COOKER**

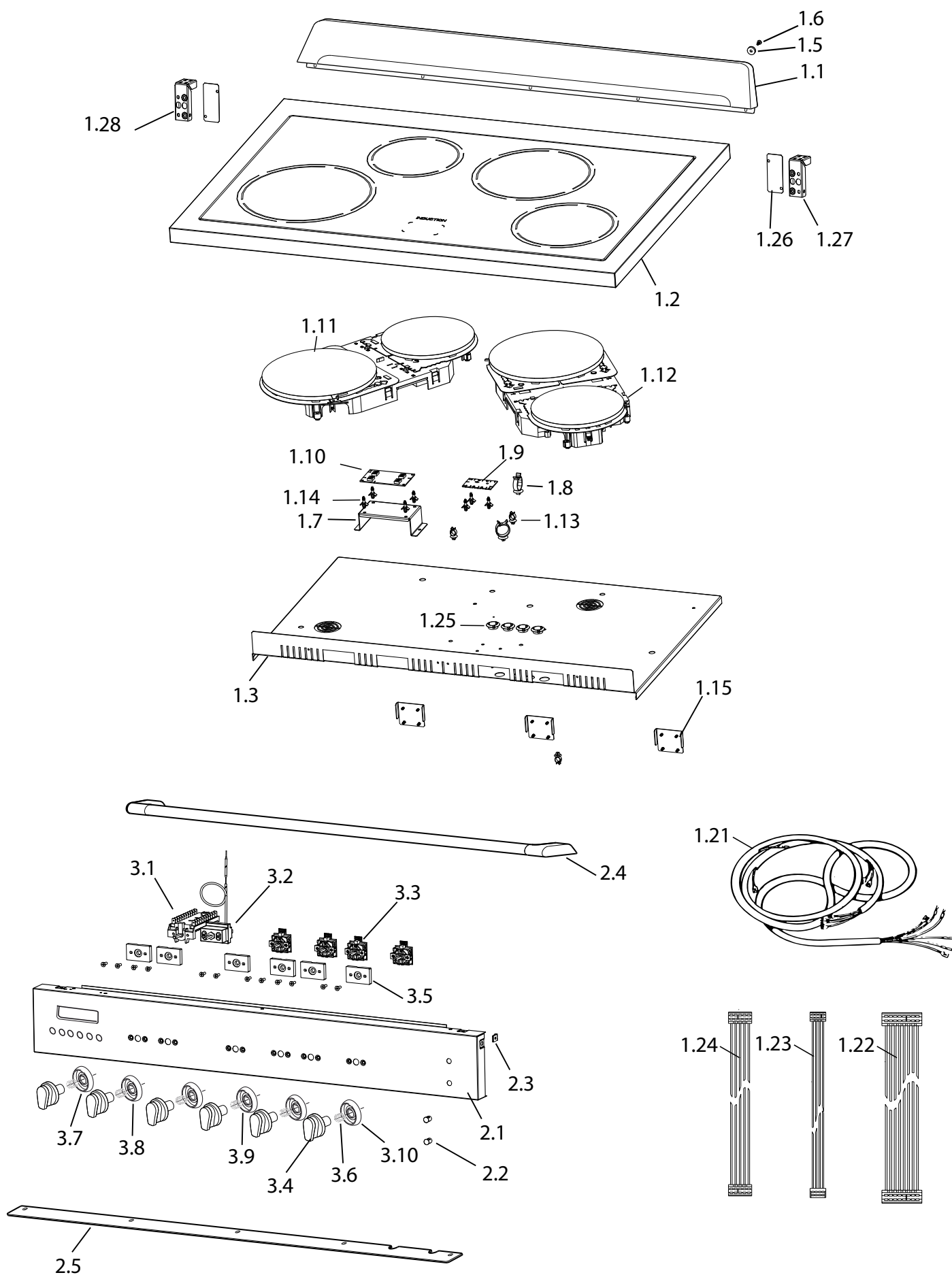
Model:

**CFBI9010W**

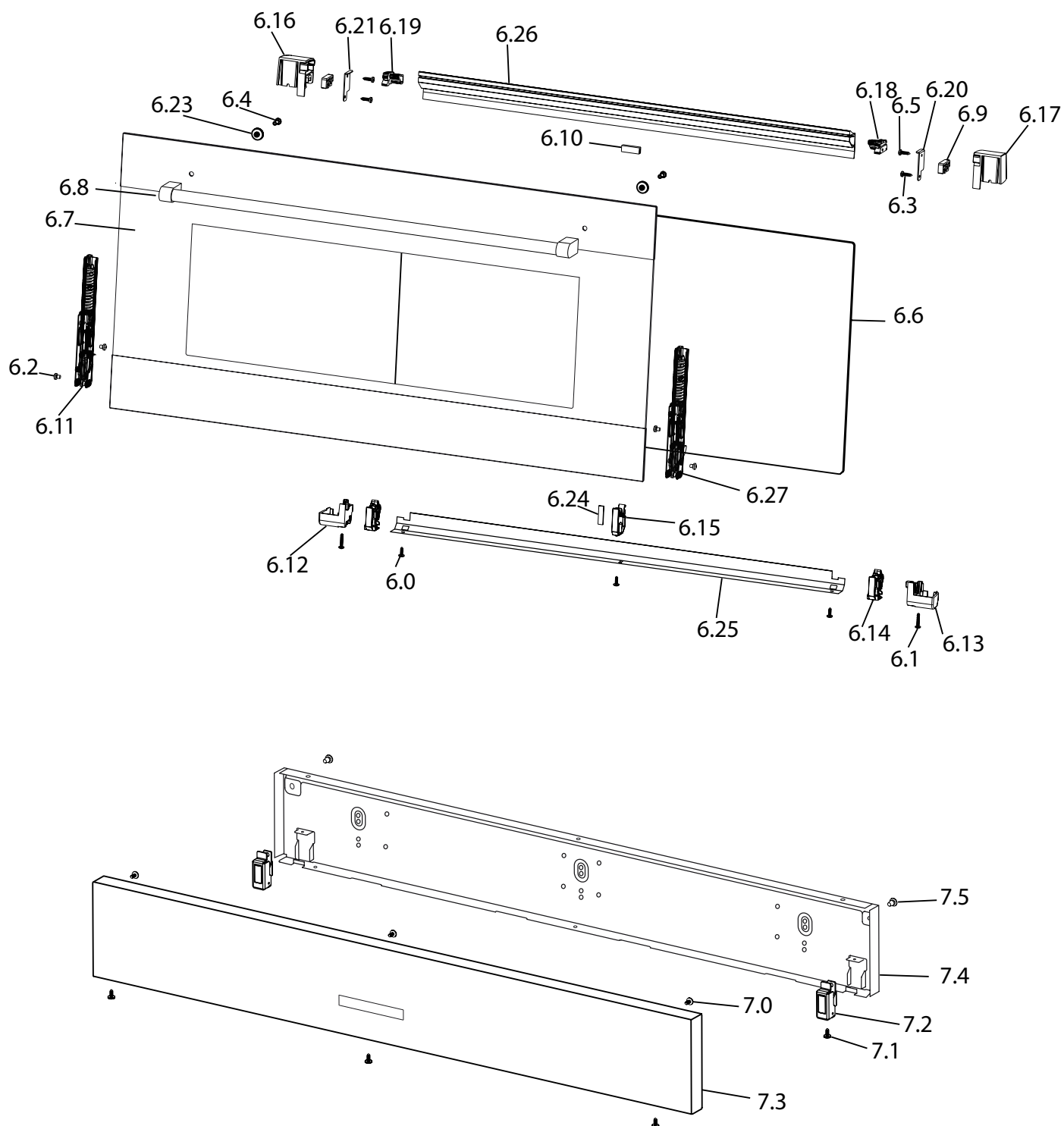
Product code	Serial N°	Product remark	Issue N°	Issue Date
C9E0B0091C				October 2017

# M-SYSTEM

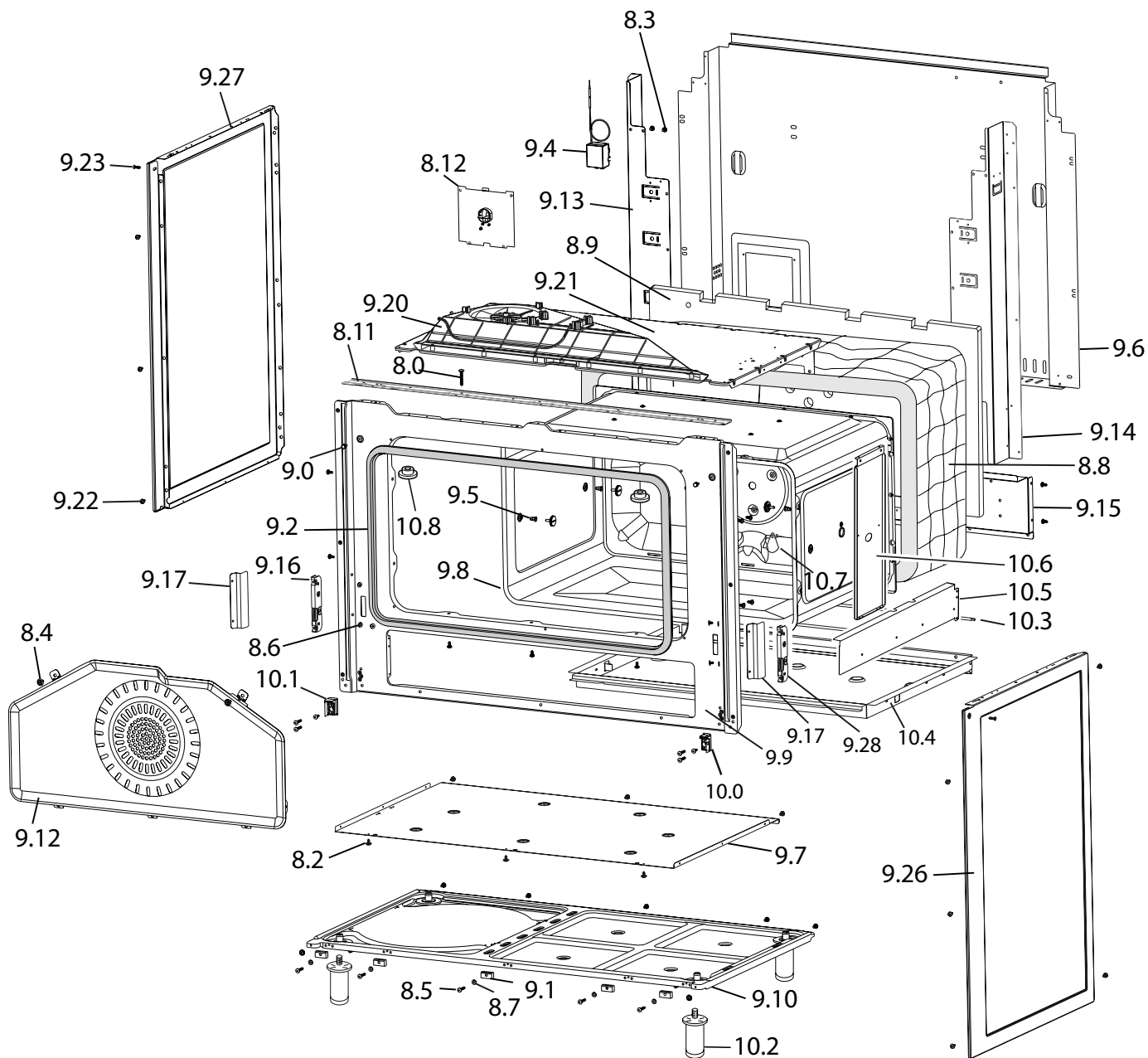
tav.1



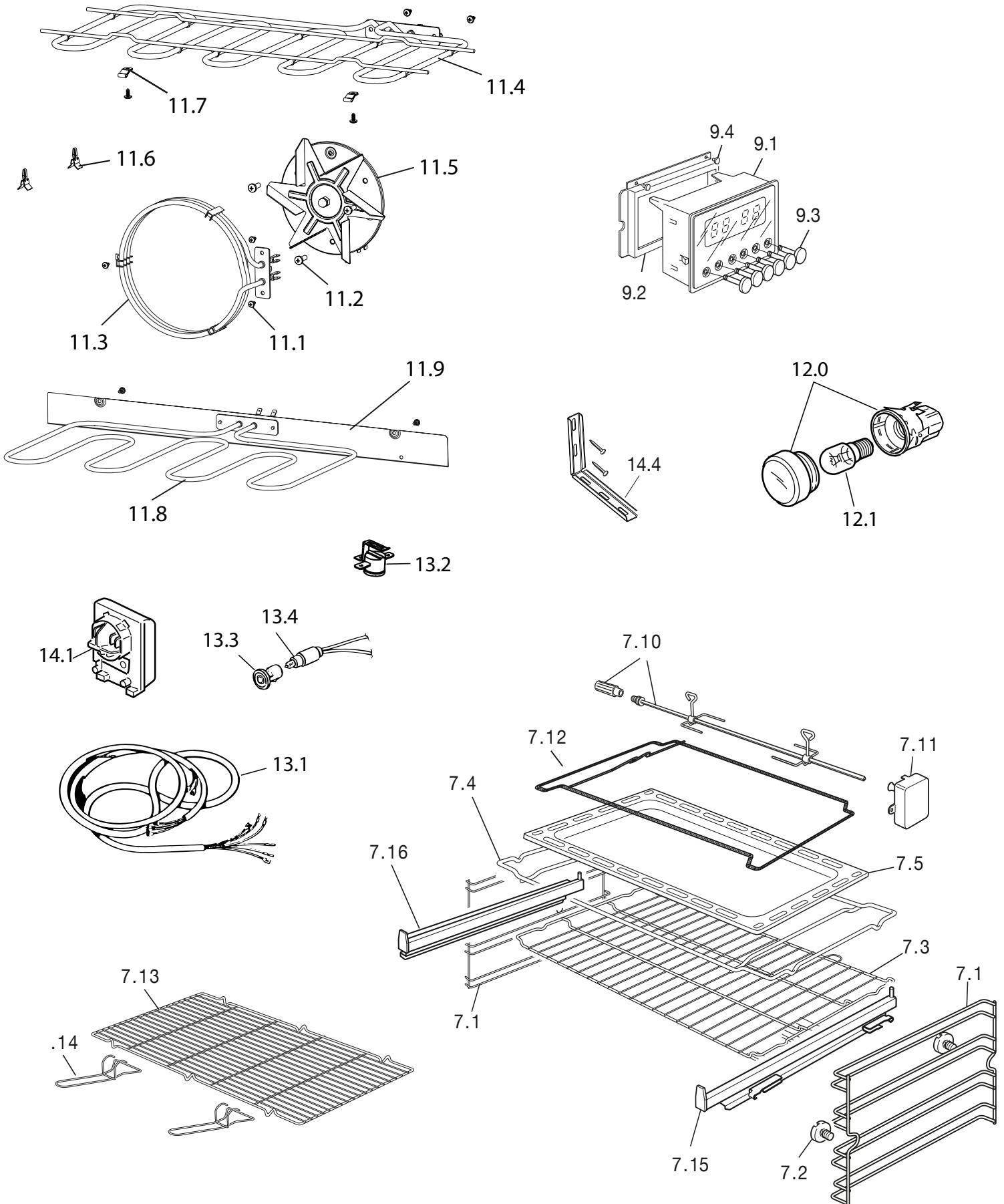
Ref.	Part description	Product code	
		C9E0BO091C	
		Feature	Part code
1.1	Rear trim		103630LBO
1.2	Glass with frame		355VC9E05
1.3	Module induction support		4219E03Z
1.5	Plug		040041001
1.6	Stainless steel screw		001285
1.7	Control PCB support		094763
1.8	Cable retainer		103672
1.9	PCB		074117
1.10	Control PCB		074116
1.11	Module induction left		1031512
1.12	Module induction right		1031513
1.13	Cable retainer		531533
1.14	PCB fixing screw		071068
1.15	Module support bracket		094762
1.21	Module wiring		1132063
1.22	PCB - PCB control connection		1132064
1.23	PCB control - module induction connection		1132065
1.24	PCB - encoders connection		1132066
1.25	Wire ring		052007
1.26	Rear bracket		094725
1.27	Rear hob support right		094417DX
1.28	Rear hob support left		094417SX
2.1	Control panel		35B9E02CB1
2.2	Control lamp cover - Red		07306202.2
=	Control lamp cover - Orange		07306201.2
2.3	Clip		213007
2.4	Handle		037342061
2.5	Control panel trim		51B9E14MII
3.1	Switch		050062
3.2	Thermostat		066183
3.3	Encoder		050095
3.4	Knob		218E00A549
3.5	Spacer		103948
3.6	Knob spring		035036
3.7	Thermostat knob ring		218397E273
3.8	Thermostat knob ring		2183G1E273
3.9	Encoder knob ring		2183G7E273
3.10	Encoder knob ring		2183G8E273



Ref.	Part description	Product code	
		C9E0B091C	
		Feature	Part code
6.0	SCREW		001169
6.1	SCREW		001270
6.2	SCREW		001288
6.3	SCREW		001292
6.4	SCREW		001270
6.5	SCREW		001311
6.6	INNER DOOR GLASS		0312893
6.7	OVEN DOOR		032C3188CN
6.8	OVEN DOOR HANDLE		037343061
6.9	RUBBER		040082
6.10	SEAL		053157
6.11	OVEN DOOR HINGE		063155
6.12	CORNER DOOR LOWER RIGHT		069095
6.13	CORNER DOOR LOWER LEFT		069096
6.14	RETAINER DOOR GLASS		069097
6.15	SUPPORT DOOR GLASS		069098
6.16	CORNER DOOR UPPER RIGHT		069103
6.17	CORNER DOOR UPPER LEFT		069104
6.18	BRACKET		069105
6.19	BRACKET		069106
6.20	BRACKET		094714
6.21	BRACKET		094715
6.23	PLAQUE		085108
6.24	BOTTOM SPACER CENTRAL		1031413
6.25	LOWER BAR		51B9E07A
6.26	HANDLE BAR		51B9E08A
6.27	OVEN DOOR HINGE		063131
7.0	SCREW		001007
7.1	SCREW		001089
7.2	HINGE		063075
7.3	LOWER PANEL		371V9617C
7.4	DRAWER INSIDE PANEL		373V9601A
7.5	RUBBER		040056
-	BADGE		081119



Ref.	Part description	Product code	
		C9E0B091C	
		Feature	Part code
8.0	SCREW		001009
8.2	SCREW		001172
8.3	SCREW		001174
8.4	SCREW		001256
8.5	SCREW		001270
8.6	SCREW		001292
8.7	WASHER		003085
8.8	OVEN INSULATION		030219
8.9	REAR INSULATION		030263
8.11	TOP TRIM		51B9E01
8.12	SHIELD		51B9E12
9.0	RUBBER		040076
9.1	RUBBER		040086
9.2	SEAL		053179
9.4	SECURITY THERMOSTAT		066182
9.5	INSERT		211016
9.6	REAR PANEL		4119E01
9.7	LOWER SHELTER		4219E01Z
9.8	OVEN CUBE		450F91EM42
9.9	BODY FRONT PANEL		45B9E001G
9.10	LOWER ELEMENT COVER		45K96004Z
9.12	FAN DIFFUSER		47AF902G
9.13	LEFT REAR TRIM		51B9E02
9.14	RIGHT REAR TRIM		51B9E03
9.15	BOTTOM REAR PANEL		51B9E04
9.16	FEMALE HINGE		063130
9.17	BRACKET		1031411
9.20	TANGENTIAL FAN		079056
9.21	AIR CONVEYOR SUPPORT		4219E02Z
9.22	SCREW		001007
9.23	SCREW		001069
9.26	SIDE PANEL		36C96D3C
9.27	SIDE PANEL		36C96S3C
9.28	FEMALE HINGE		063130
10.0	PLASTIC SPACER RIGHT		040085/DX
10.1	PLASTIC SPACER LEFT		040085/SX
10.2	SHIM		6303603
10.3	ELEMENT SUPPORT		1031283
10.4	LOWER PROTECTION		421F908Z
10.5	CROSS BAR		51B9E11
10.6	ROTISSERIE SUPPORT		51B9E10
10.7	BRACKET		094671
10.8	DOUILLE		085113





Ref.	Part description	Product code	
		C9E0BO091C	
		Feature	Part code
7.1	SHELF SUPPORT		217688
7.2	SHELF SUPPORT SCREW		001142
7.3	FLAT DOWN WIRE SHELF		217690
7.4	SLIDING SHELF		217691
7.5	OVEN TRAY		48BF901G
7.10	ROTISSERIE SPEAR (INCLUDING HANDLE 037144)		080037
7.11	ROTISSERIE MOTOR		079053
7.12	ROTISSERIE SUPPORT		217670
7.13	GRILL-PAN GRID		217651
7.14	GRILL-PAN GRID HANDLE		037144
7.15	RIGHT TELESCOPIC RUNNER		1031784
7.16	LEFT TELESCOPIC RUNNER		1031785
9.1	ELECTRONIC PROGRAMMER		074125
9.2	ELECTRONIC TIMER BRACKET		094363
9.3	BUTTON		1031668
9.4	ELECTRONIC PROGRAMMER RUBBER		040056
11.1	SCREW		001081
11.2	SCREW		001245
11.3	CIRCULAR ELEMENT		062097004
11.4	TOP+GRILL ELEMENT		062145004
11.5	FAN MOTOR		079049
11.6	CLIP		213026
11.7	CLIP		213031
11.8	BOTTOM ELEMENT		062146004
11.9	SUPPORT BAR		51B9E09
12.0	LAMP HOLDER		072026
12.1	LAMP		073103
13.1	WIRING		1132547
13.2	CUT-OFF THERMOSTAT	80°	066145
		55°	066080
13.3	CONTROL LAMP COVER	RED	07306202.2
13.3	CONTROL LAMP COVER	ORANGE	07306201.2
13.4	CONTROL LAMP	L.230	073039.2
13.4	CONTROL LAMP	L.900	073104.2
14.1	TERMINAL BLOCK		051068
14.4	ANTI TILT BRACKET		6300053.C
-	INSTRUCTION BOOKLET		1105652