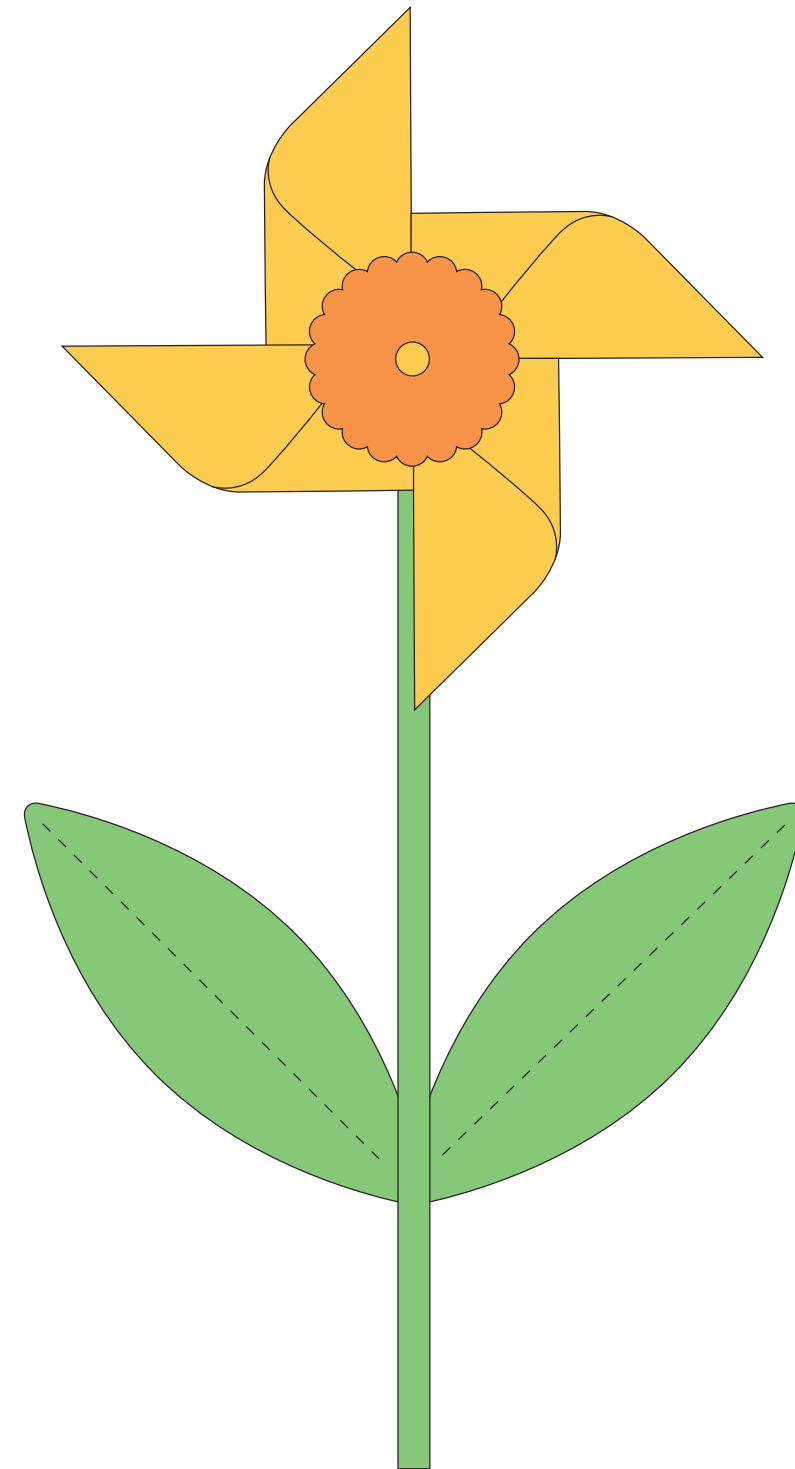
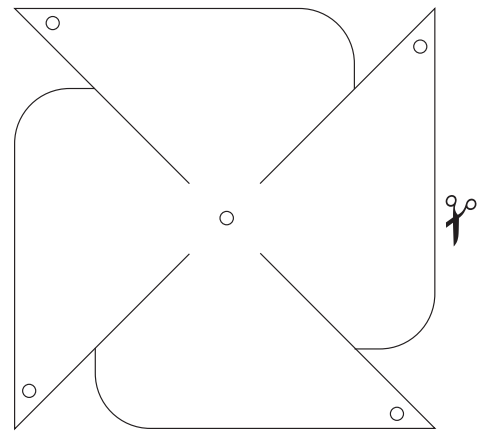


Daffodil Windmill

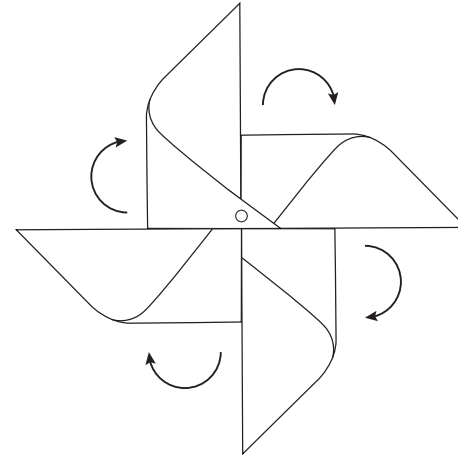


Daffodil Windmill

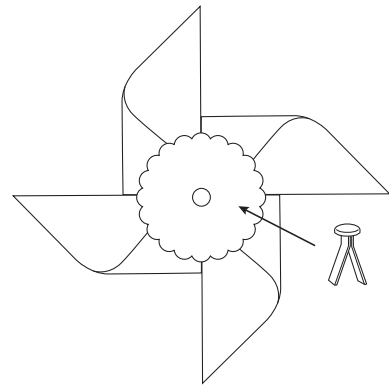
Celebrate St David's Day in style with this delightful daffodil windmill. To get started, simply follow the instructions below.



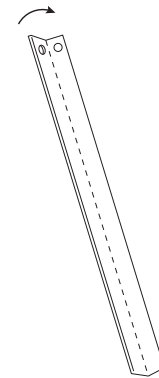
1. Cut out yellow square.



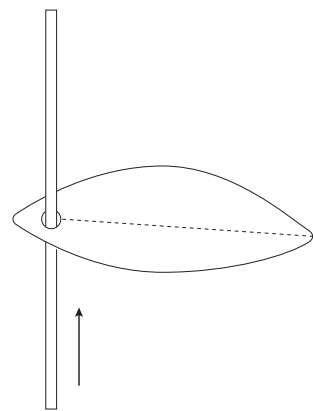
2. Pull the four petals into the center, try not to fold.



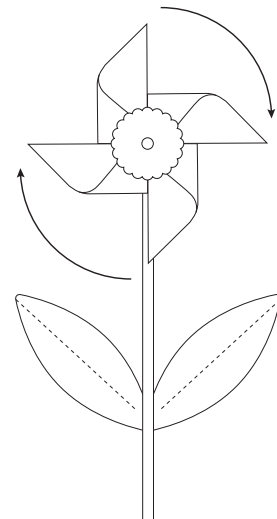
3. Cut out orange circle shape, place on the petals and fix everything together with a paper fastener.



4. Fold the daffodil stem in half.



5. Thread the two leaves on to the stem.



6. Hold completed daffodil in the wind and let it spin.

