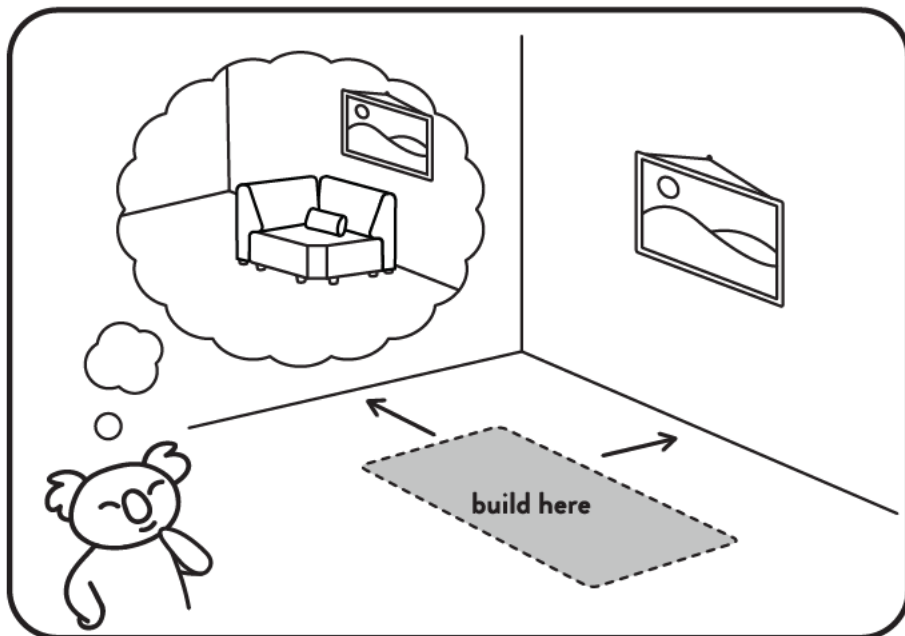
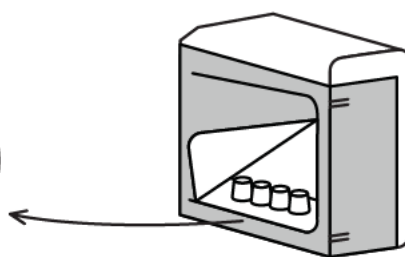


kóala

corner section

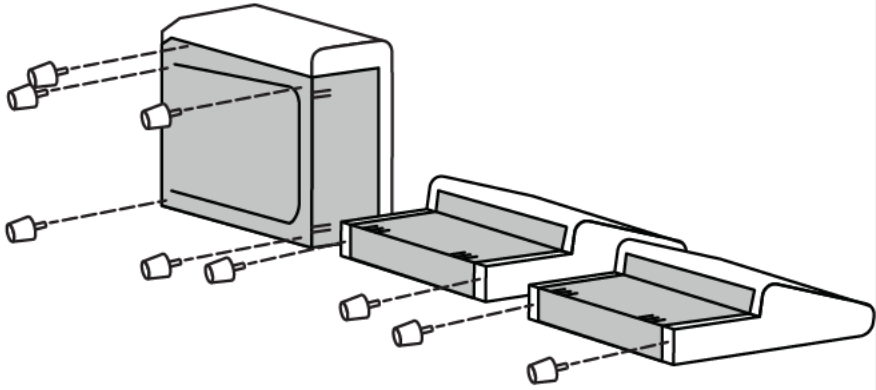


1.



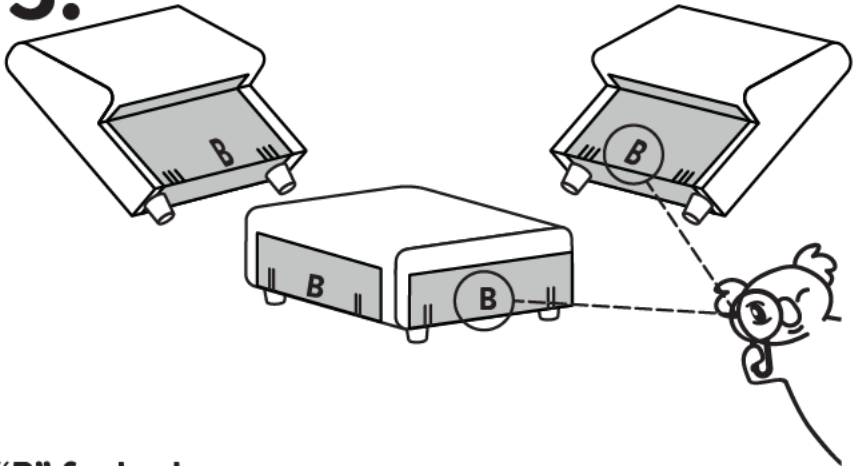
take all legs from inside zip pocket

2.



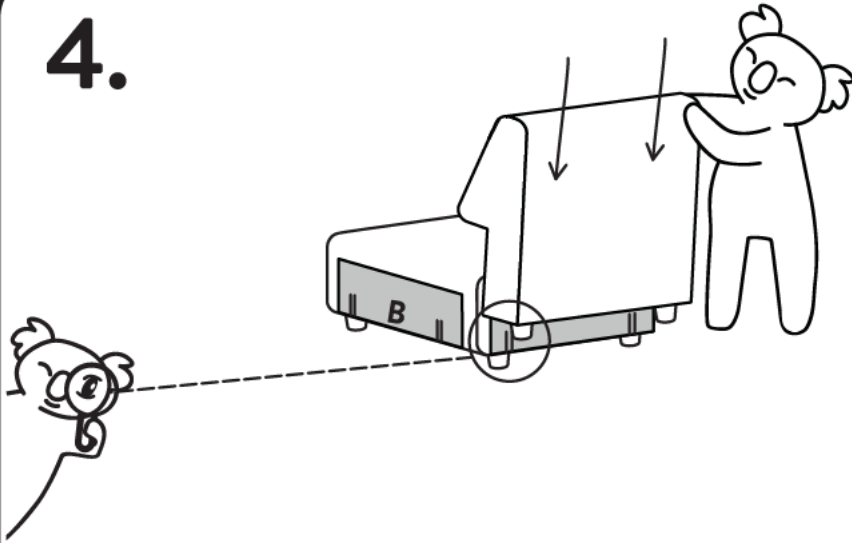
screw legs into all parts

3.



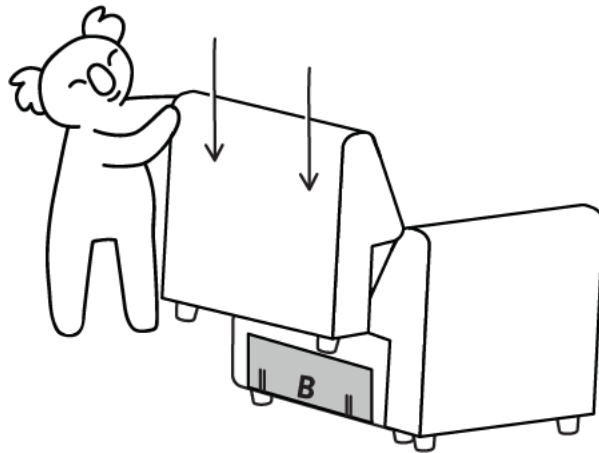
“B” for backrest

4.



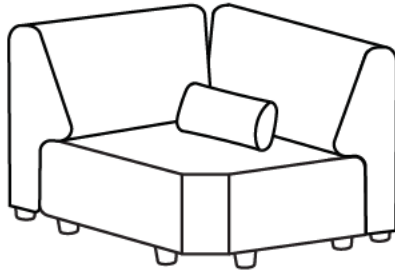
align connections and push down

5.



repeat for other backrest

6.

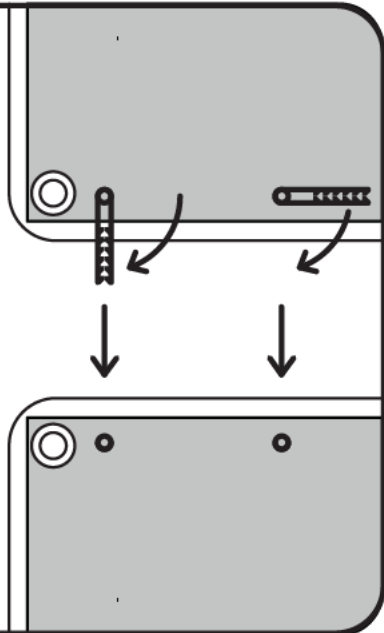


enjoy now or add to your collection

7.

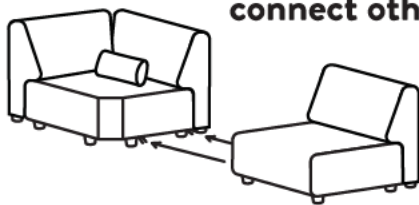


rotate out frame connector



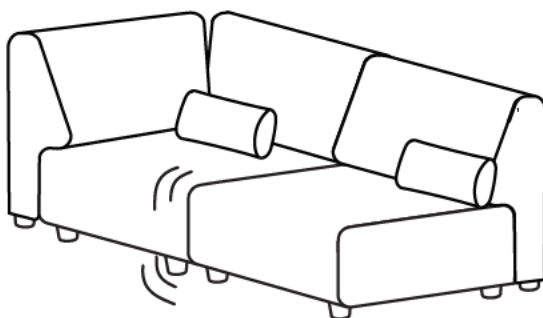
8.

connect other configurations

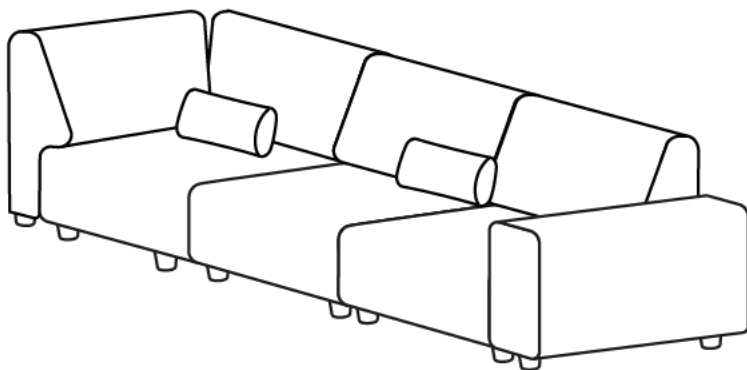


“click”

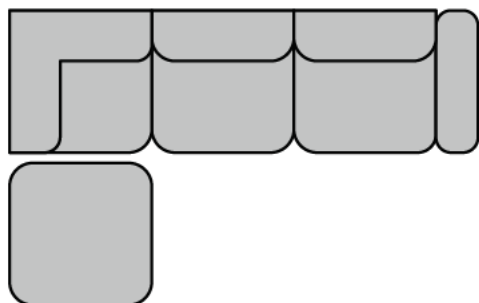
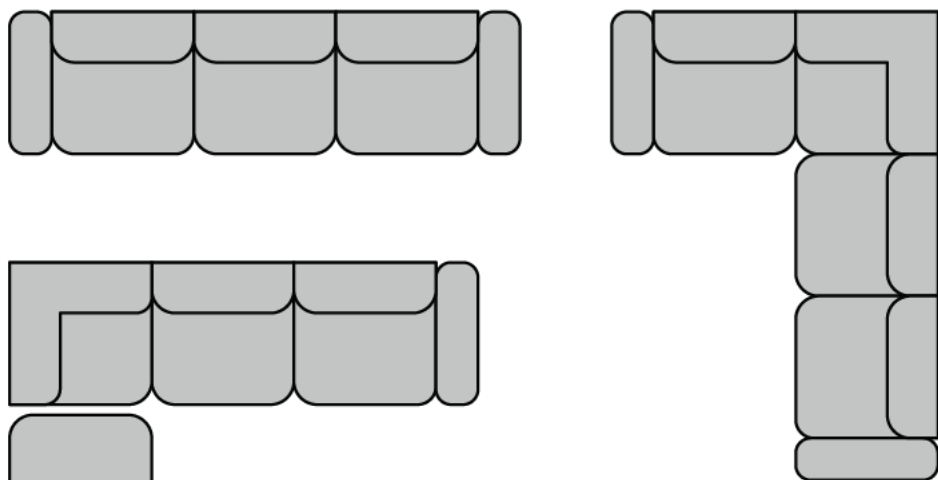
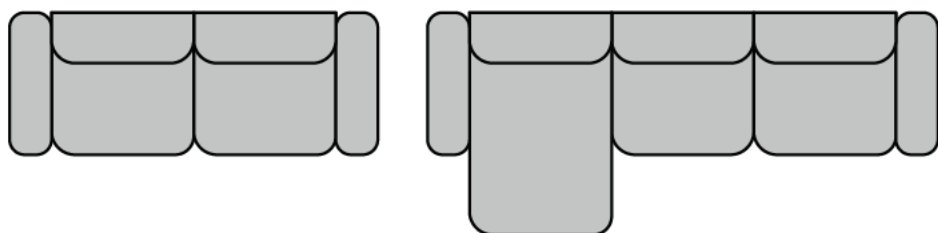
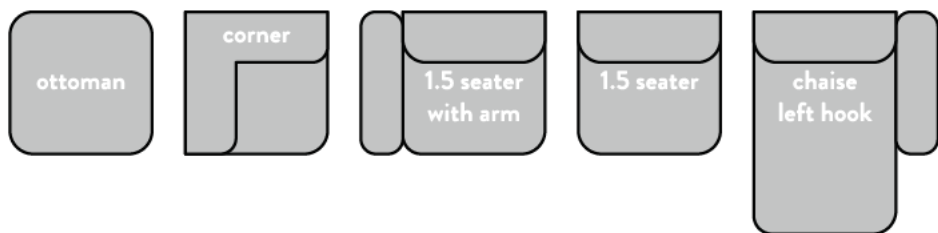
listen for click



9.



enjoy now or add to your collection





don't forget to recycle

koala