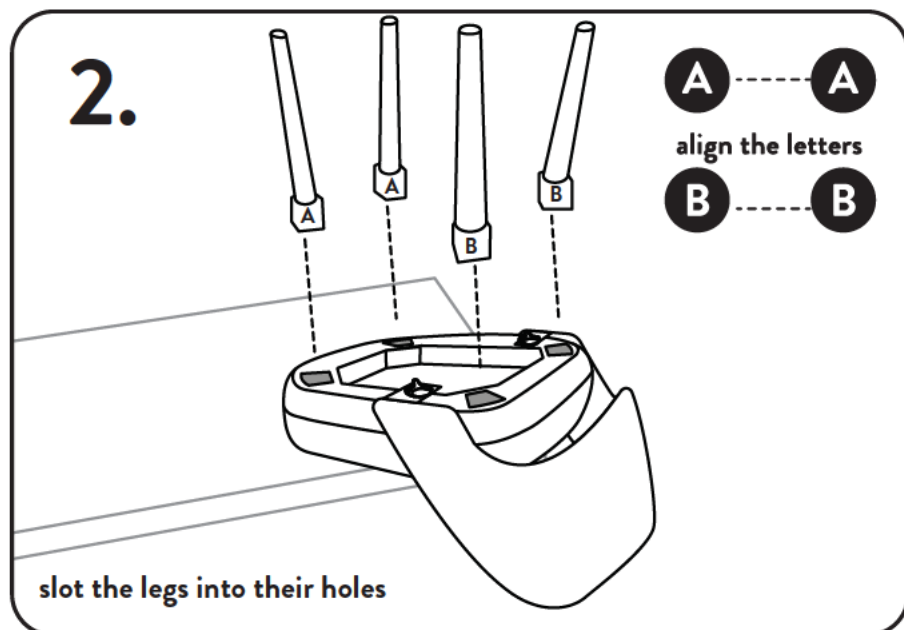
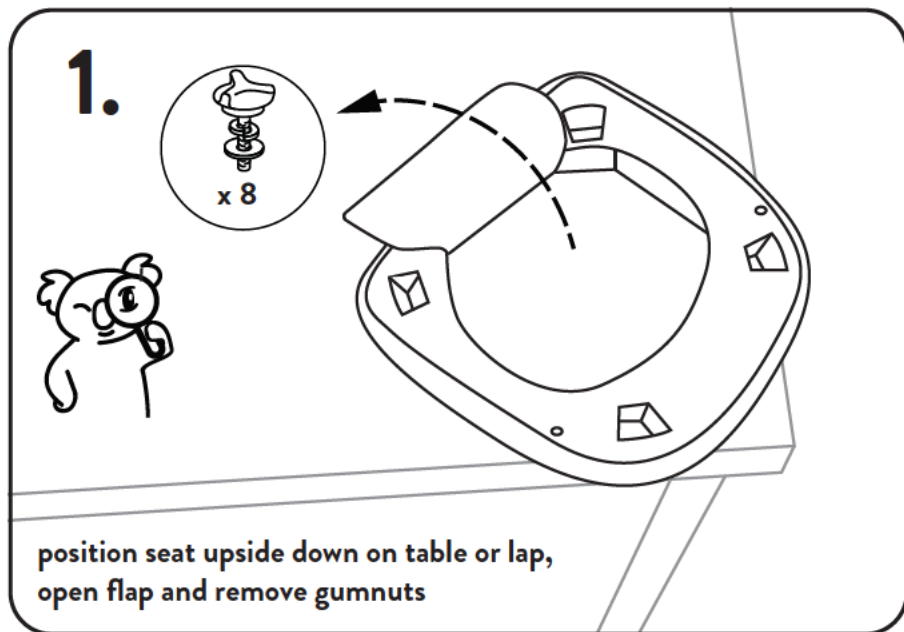
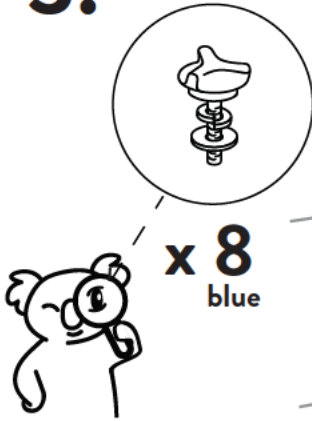


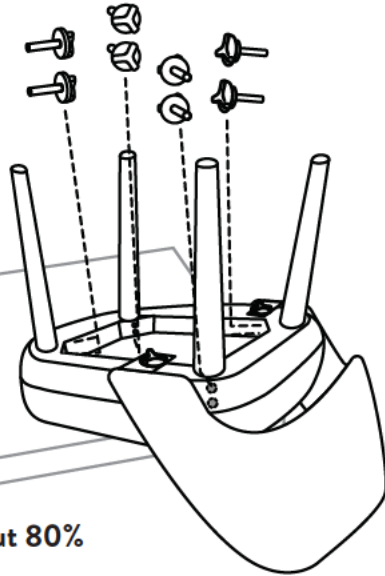
kóala curved dining chair



3.

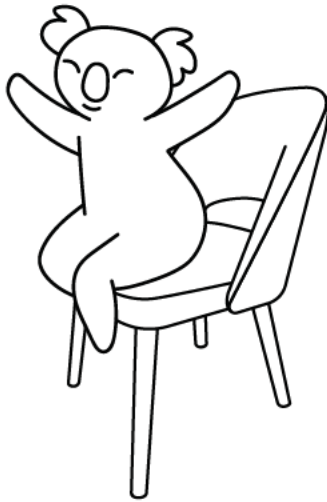


x 8
blue



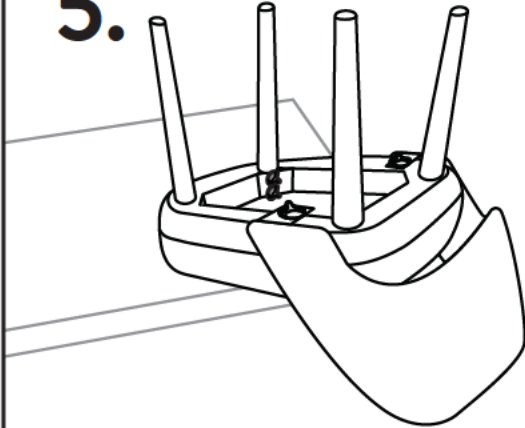
tighten all blue gumnuts to about 80%

4.



to level legs, sit on chair for about 30 seconds

5.



tighten all gumnuts!

flip chair and tighten all blue gumnuts and close zipper



tighten legs periodically

#dinewithkoala



don't forget to recycle

koala