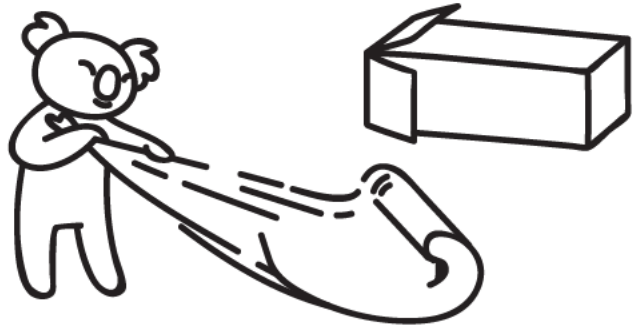


**kóala**

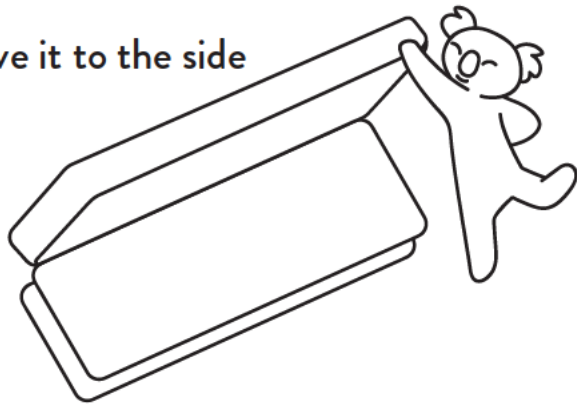
sofa bed

#sleepoverwithkoala

1. open the seat cushion

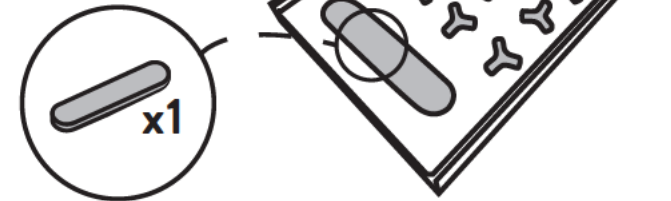


2. leave it to the side

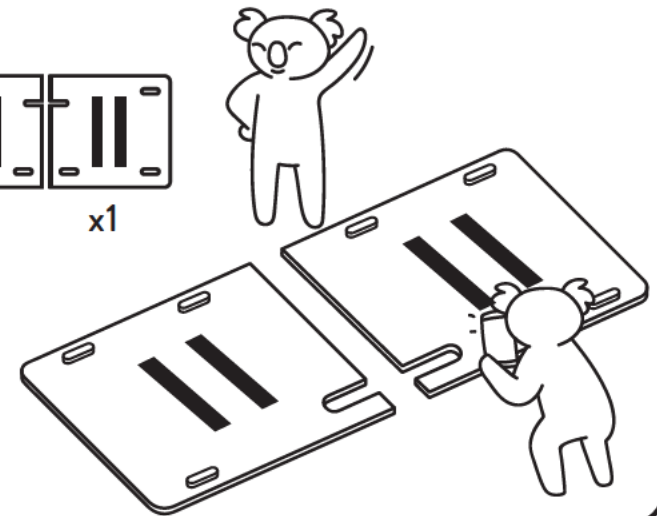
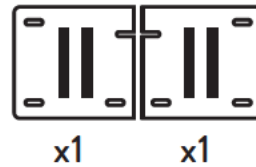


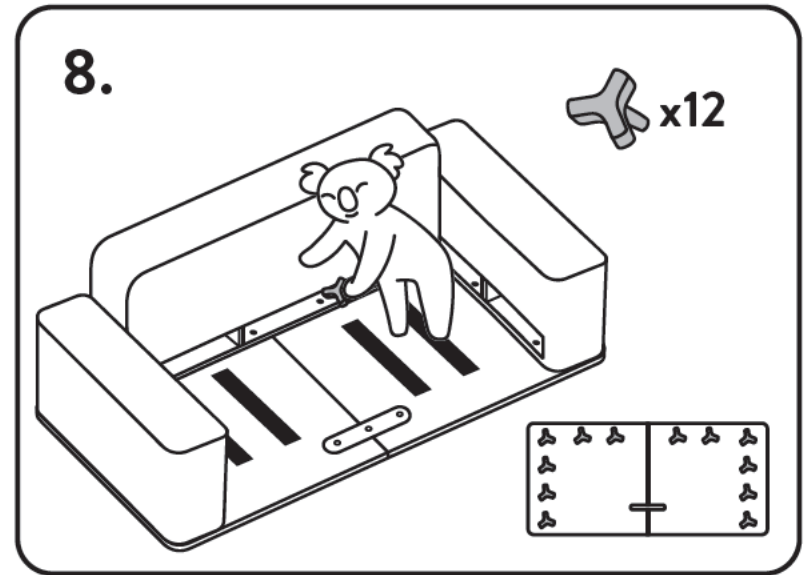
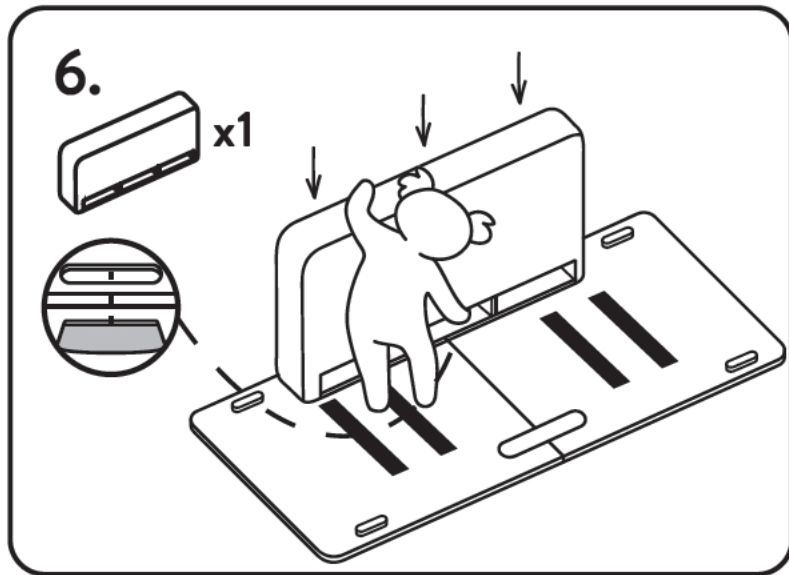
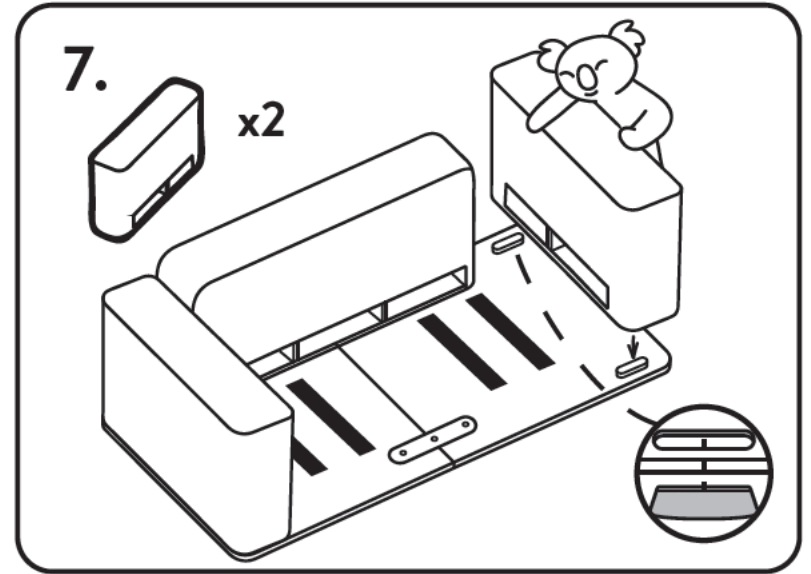
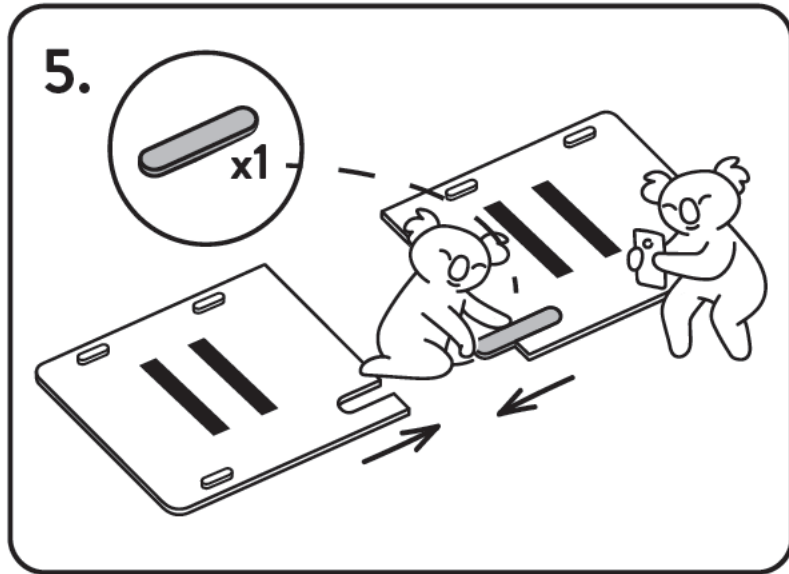
\*\*The Koala Sofa Bed is specially compressed for ease of shipping. It can take 3-5 days for the seat cushion to come back to its correct shape and feel, but you can sit on it right away. It will just get better over the first few days.

3. grab the connector and move to baseboard box!

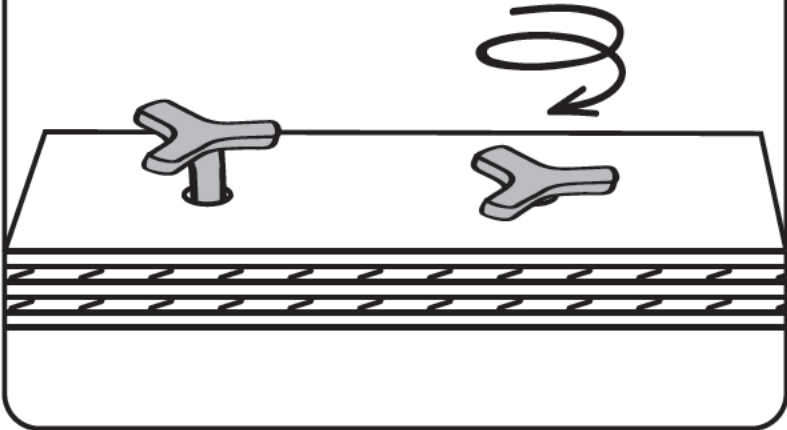


4.

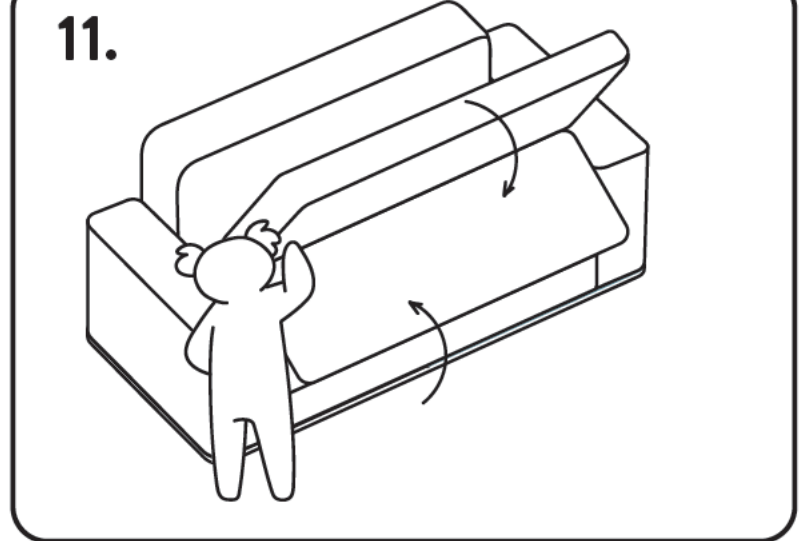




9. tighten them all up



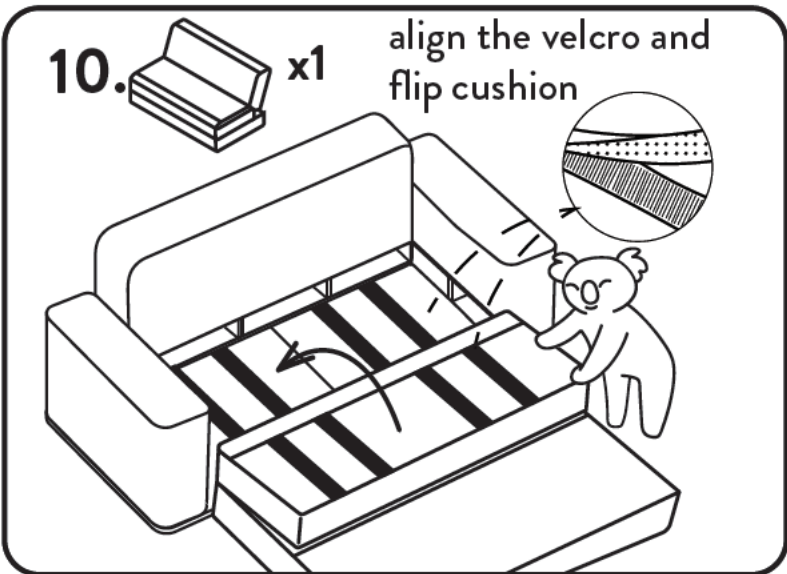
11.



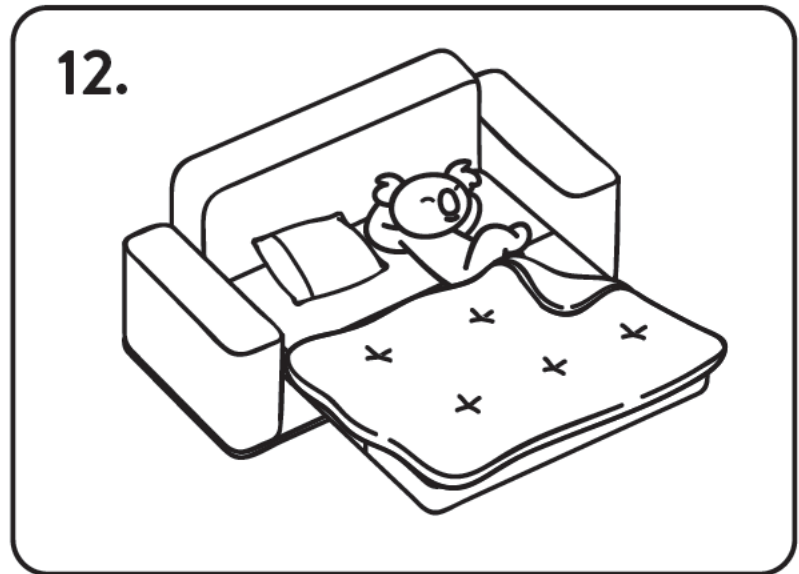
10.



align the velcro and flip cushion



12.



i bed you didn't see that coming.

**kóala**