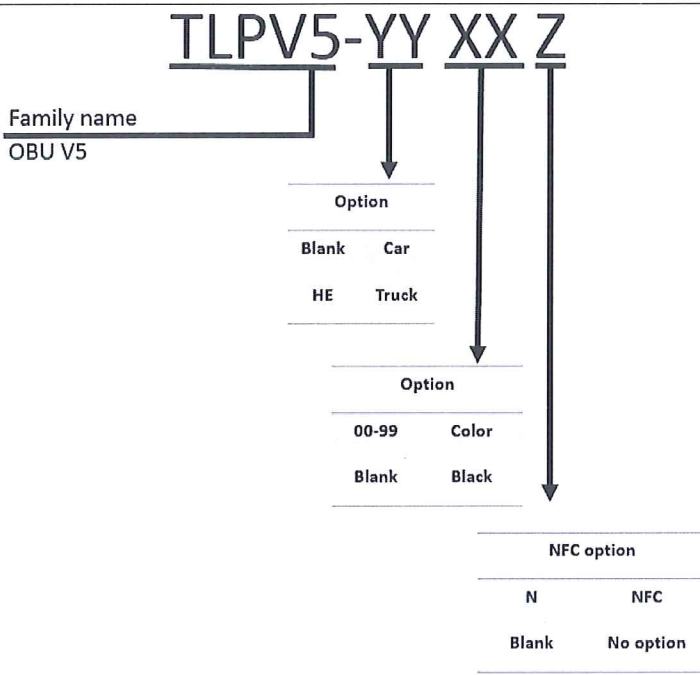


EC Declaration of conformity to specifications

The undersigned:

Company name	Autostrade Tech S.p.A
Address	Via Alberto Bergamini, 50 – 00159 Roma

hereby declares under his sole responsibility that the product:

Product name	TLPV5
Derived models	<div style="text-align: center;"> <p>TLPV5-YY XX Z</p>  <p>Family name OBU V5</p> <p>Option Blank Car HE Truck</p> <p>Option 00-99 Color Blank Black</p> <p>NFC option N NFC Blank No option</p> </div>
Product description	On Board Unit (OBU) for electronic toll collection
Application software	B7_01

is in conformity with the following Community Legislation and listed standards or technical specifications:

Community Legislation	Standards or technical specifications	Remarks
Directive 2014/53/EU	EN 62311:2008	Article 3.1.a
	EN 62368-1:2014 + A11:2017	
	EN 301 489-1 V.2.2.0 (2017-03)	Article 3.1.b
	EN 301 489-3 v2.1.1 (2017-03)	
	EN 300 674-2-2 v.2.1.1 (2016-11) ES 200 674-1 V.2.4.1 (2013-05) EN 300 330 V2.1.1 (2017-02)*	Article 3.2
	EU-type examination according to Directive 2014/53/EU (RED) Certificate N° 0051-RED-0095	
Decision 2009/750/EC	EN 15509:2014 ETSI 200 674-1 V2.4.1 (2013-05)	Annex III, clauses 1 and 2.1.2
Directive 2011/65/EC (RoHS)	-	-

(*) This standard is only applicable to NFC product versions.

According to Decision 768/2008/EC, the procedure chosen to assess the conformity Community Legislation is:

<input type="checkbox"/> Module A – Internal control of production	<input checked="" type="checkbox"/> Module B – Type examination
<input type="checkbox"/> Module C – Conformity to type	<input type="checkbox"/> Module D – Production quality assurance
<input type="checkbox"/> Module F – Product verification	<input type="checkbox"/> Module H – Full quality assurance with design examination

Procedures referred above were assessed by the following Notified Body:

Notified Body (name and address)	IMQ - ISTITUTO ITALIANO DEL MARCHIO DI QUALITÀ S.P.A. Via Quintiliano, 43 20138 – MILANO - Italy -
Notified Body ID	0051

Place and date	Firenze 29 th March 2019
Authorised signatory	Ing. Giuseppe Langer
Signature	 autostrade//Tech Società per azioni Ing. Giuseppe Langer