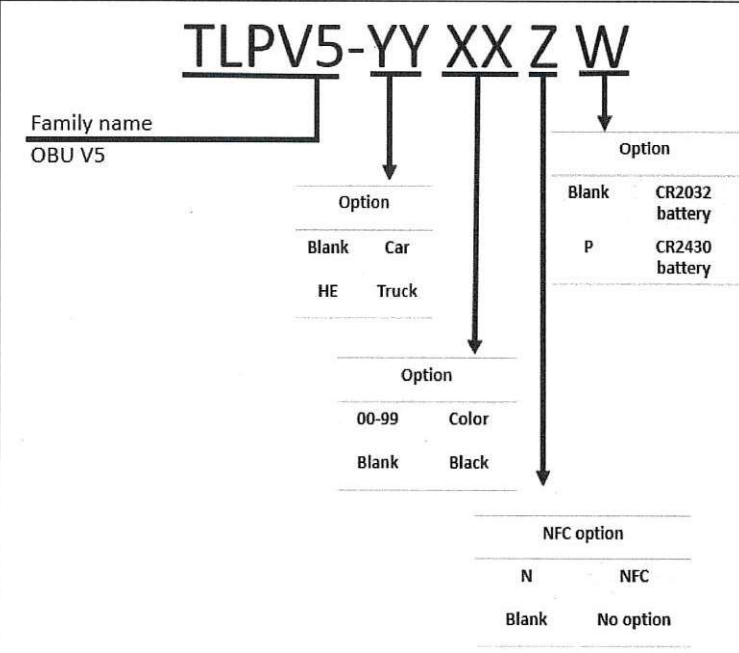


EC Declaration of conformity to specifications

The undersigned:

Company name	Autostrade Tech S.p.A
Address	Via Alberto Bergamini, 50 – 00159 Roma

hereby declares under his sole responsibility that the product:

Product name	TLPV5
Derived models	 <p>The diagram illustrates the product model structure: TLPV5-YY XX Z W. TLPV5 is the Family name (OBU V5). YY represents vehicle type options: Blank (Car), HE (Truck). XX represents color options: 00-99 (Color), Blank (Black). Z represents NFC options: N (NFC), Blank (No option). W represents battery options: Blank (CR2032 battery), P (CR2430 battery).</p>
Product description	Toll payment on-board unit (OBU)
Application software	B7_01

is in conformity with the following Community Legislation and listed standards or technical specifications:

Community Legislation	Standards or technical specifications	Remarks
Directive 2014/53/EU	EN 62311:2008 EN 62368-1:2020+A11:2020	Article 3.1.a
	EN 301 489-1 V.2.2.3 (2019-11) EN 301 489-3 v2.1.1 (2019-03)	Article 3.1.b
	EN 300 674-2-2 v.2.2.1 (2019-06) ES 200 674-1 V.2.4.1 (2013-05) EN 300 330 V2.1.1 (2017-02)*	Article 3.2
	EU-type examination according to Directive 2014/53/EU (RED) Certificate N° 0051-RED-0095 Rev.1	
Decision 2009/750/EC	EN 15509:2014 ETSI 200 674-1 V2.4.1 (2013-05)	Annex III, clauses 1 and 2.1.2
Directive 2011/65/EC (RoHS)	-	-

(*) This standard is only applicable to NFC product versions.

The conformity is based on all essential and specific radio test suites for that radio equipment category identified by the involved Notified Body. When the customer will approve the final product this statement will be issued.

The notified body IMQ S.p.a. (ISTITUTO ITALIANO DEL MARCHIO DI QUALITÀ S.P.A. - Via Quintiliano, 43 20138 – MILANO - Italy - identification number 0051) performed the EU-type examination in compliance to Annex III Module B of the 2014/53/EU Directive and issued the EU-type examination Certificate No. 0051-RED-0095 Rev.1.

Directive 2011/65/EC (RoHS)

Restriction of the Use of Certain Hazardous Substances in Electrical and Electronic Equipment Regulations

Directive 2019/520 (EU), Directive 2004/52/EC, Decision 2009/750/EC (EETS)

(according to module A of Decision 2008/768/EC)

The product has been tested against the following standards and specifications:

- EN 15509:2014
- CEN ISO/TS 13141:2015 + A1 :2017
- CEN ISO/TS 12813:2015
- ETSI 200 674-1 v2.4.1:2013

The product is marked



Firenze, li:

18 MAG. 2021

FIRMA: Lorenzo Rossi (Amministratore delegato)

autostrade//Tech
Società per azioni
Amministratore Delegato
Ing. Lorenzo Rossi