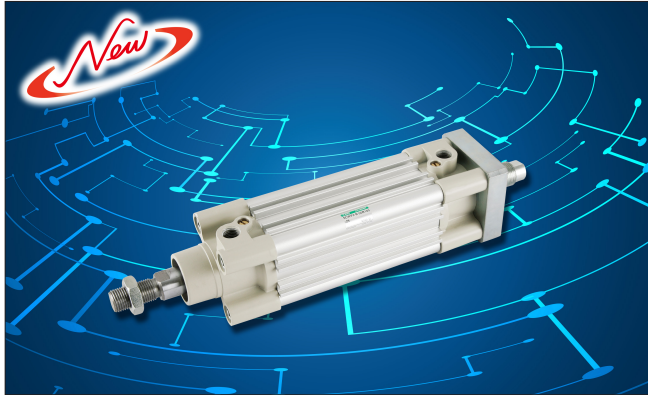


Double acting/stroke adjustable cylinder (pull) SCW*2-R Series



Main Features

- Conforming to ISO15552 standard
- Retracted stroke length can be adjusted easily
- Switches can be optionally mounted

Specifications

Description	SCW*2-R						
	Bore size	mm	φ 32	φ 40	φ 50	φ 63	φ 80
Working fluid	Clean compressed air						
Max. working pressure	MPa	1.0					
Min. working pressure	MPa	0.05					
Withstanding pressure	MPa	1.5					
Ambient temperature	°C	-10 to 60 (No freezing)					
Stroke tolerance	mm	0 to 1.4					
Working piston speed	mm/s	30 to 1000					
Cushion	Air cushion						
Effective cushion length	mm	15	15	16.4	16.4	23.4	23.4
Lubrication	No						
Allowable absorption energy with cushion	J	2.5	6.0	9.0	14.4	25.4	45.6

Stroke length

Bore size (mm)	Standard stroke length (mm)	Max. stroke length (mm)	Available stroke length (mm)	Min. stroke length (mm)
φ 32	25,50,80,100,125,160,200,250,320,400,500,600,700,800	500	2000 ^{*1}	25
φ 40		500		
φ 50		600		
φ 63		600		
φ 80		800		
φ 100		800		

* 1: Stroke length of SCWT2-R is 1900mm for TA and TB.

* 2: If the max. stroke length is exceeded, product specifications may not be met, depending on operating conditions. Contact CKD in this case.

Consumable parts list

S/N	Bore size	Kit number
1	φ 32	SCWP2-R-32K
2	φ 40	SCWP2-R-40K
3	φ 50	SCWP2-R-50K
4	φ 63	SCWP2-R-63K
5	φ 80	SCWP2-R-80K
6	φ 100	SCWP2-R-100K

Note: applicable to both SCWP2-R and SCWT2-R.

Cylinder mass

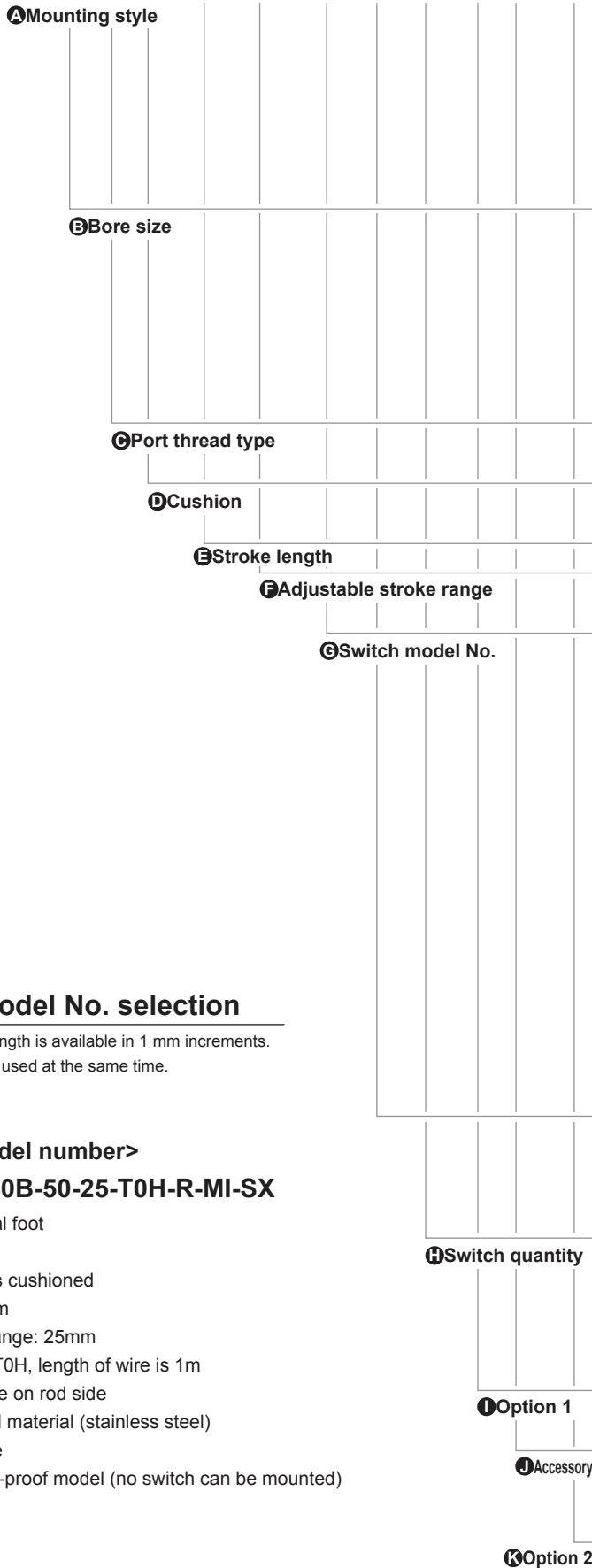
(Unit: kg)

Bore size (mm)	Product mass when stroke length(s)=0(mm)				Additional mass per S=50(mm)	Mass per TOH switch	Mass of switch mounting parts (T-shaped)	Accessory mass	
	Basic (00)	Foot (LB)	Flange (FA)	Trunnion (TA, TB, TC)				I	Y
SCWP2-R-φ 32	0.77	0.88	0.99	—	0.16	0.018	—	0.07	0.10
φ 40	1.10	1.24	1.38	—	0.20		—	0.07	0.13
φ 50	1.89	2.05	2.37	—	0.29		—	0.20	0.30
φ 63	2.47	2.81	3.23	—	0.30		—	0.20	0.30
φ 80	4.08	4.51	5.65	—	0.55		—	0.52	0.94
φ 100	5.87	6.73	8.19	—	0.55		—	0.48	0.92
SCWT2-R-φ 32	0.74	0.85	0.96	0.91	0.09		0.024	0.07	0.10
φ 40	1.05	1.19	1.33	1.39	0.13		0.024	0.07	0.13
φ 50	1.80	1.96	2.28	2.28	0.18		0.022	0.20	0.30
φ 63	2.34	2.68	3.10	3.22	0.20		0.020	0.20	0.30
φ 80	3.77	4.20	5.34	5.26	0.39		0.026	0.52	0.94
φ 100	5.55	6.41	7.87	8.12	0.36		0.024	0.48	0.92

SCW*2-R Series

How to order

SCWP2-R - LB - 40 - B - 50 - T0H - R - M I - SX
 SCWT2-R



A Mounting style				
00	ISO type	Basic		
LB	MS1	Axial foot		
FA	MF1	Rod side flange		
TC	MT4	Intermediate trunnion (SCWT2-R only)		
TA		Rod side trunnion (SCWT2-R only)		
TB		Head side trunnion (SCWT2-R only)		
B Bore size (mm)				
32	φ 32			
40	φ 40			
50	φ 50			
63	φ 63			
80	φ 80			
100	φ 100			
C Port thread type				
Blank	Straight port thread			
D Cushion				
B	Both sides cushion (basic)			
E Stroke length (mm) (details in stroke length specification)				
F Adjustable stroke range (mm)				
25, 50, 75, 100				
G Switch model No.				
Lead write Straight type	Lead write L-type	Contact	Display	Lead wire
T0H *	T0V *	Reed	1-color indicator	2-wire
T5H *	T5V *		Without indicator lamp	
T8H *	T8V *		1-color indicator	
T1H *	T1V *	Proximity	1-color indicator	2-wire
T2H *	T2V *			3-wire
T3H *	T3V *		2-color indicator	2-wire
T2WH*	T2WV*			3-wire
T2YH*	T2YV*			
T3WH*	T3WV*		1-color indicator	2-wire
T3YH*	T3YV*			
T3PH *	T3PV *		Switch for strong magnetic field	2-wire
T2YD*	—		Off-delay	2-wire
T2YDT*	—			
T2JH*	T2JV*			
*Lead wire length				
Blank	1 m (standard)			
3	3 m (option)			
5	5 m (option)			
H Switch quantity				
R	One on rod side			
H	One on head side			
D	Two			
T	Three			
I Option 1				
M	Piston rod material (stainless steel)			
J Accessory				
I	ISO8139	Rod eye		
Y	ISO8140	Rod clevis (with shaft pin and cotter pin)		
K Option 2				
Blank	Standard cylinder			
SX	Explosion-proof model (no switch can be mounted)			

⚠ Note on model No. selection

- * 1: The custom stroke length is available in 1 mm increments.
- * 2: "I" and "Y" cannot be used at the same time.

<Example of model number>

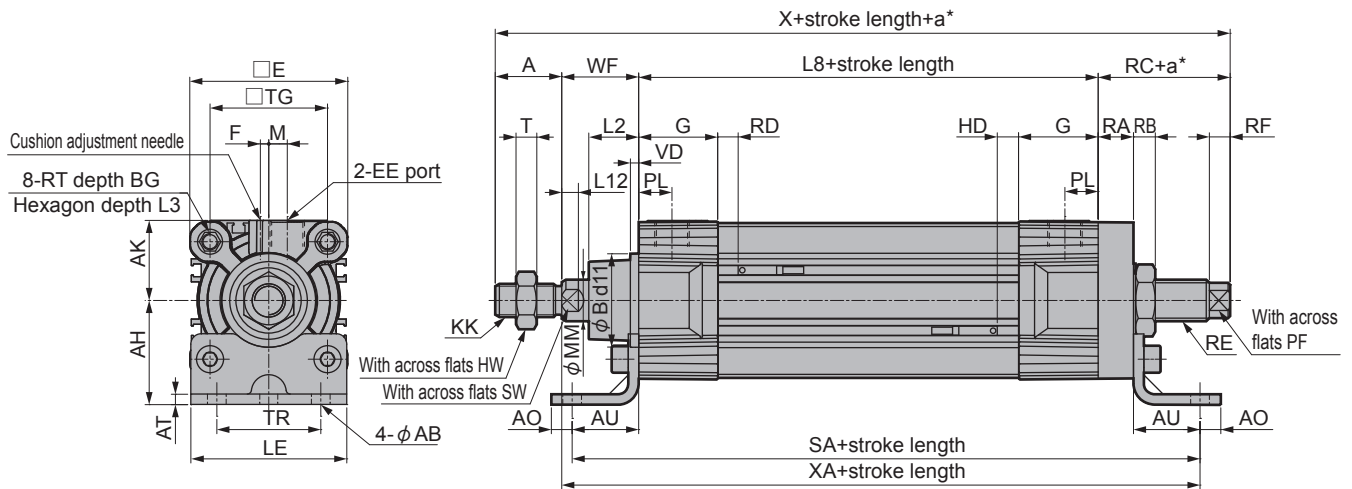
SCWT2-R-LB-40B-50-25-T0H-R-MI-SX

- A Mounting style: Axial foot
- B Bore size: φ 40
- D Cushion: Both sides cushioned
- E Stroke length: 50mm
- F Adjustable stroke range: 25mm
- G Switch model No.: T0H, length of wire is 1m
- H Switch quantity: One on rod side
- I Option 1: Piston rod material (stainless steel)
- J Accessory: Rod eye
- K Option 2: Explosion-proof model (no switch can be mounted)

Dimensions

●SCWP2-R

Axial foot type (LB)



a*Adjustable stroke range (Unit: mm)

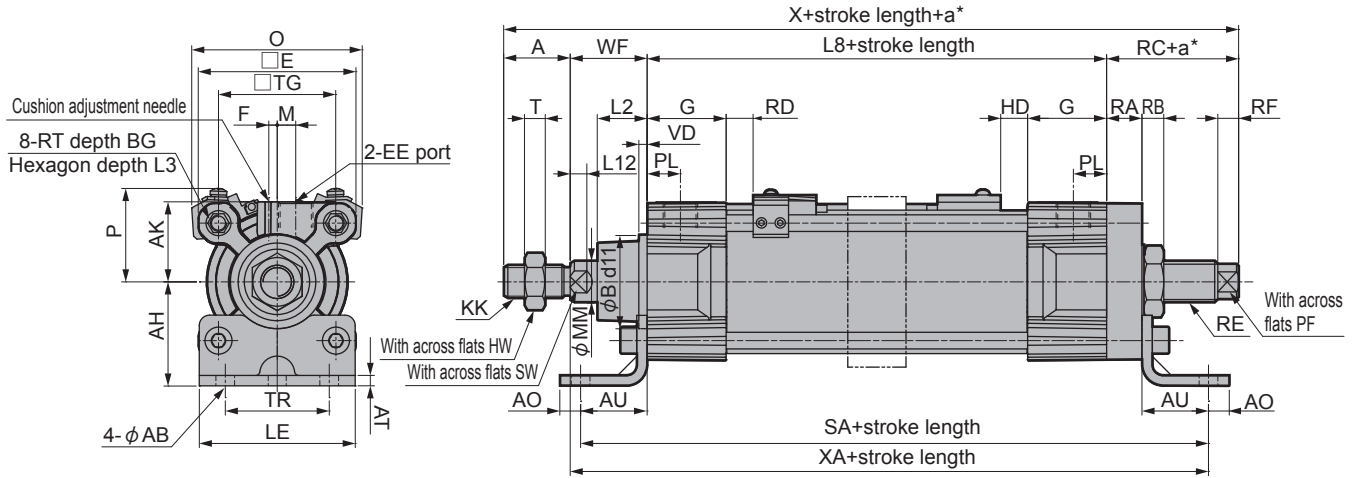
Code	Axial foot (LB) basic dimensions																			
Bore size	A	B	BG	E	AK	EE	F	G	HW	KK	L2	L3	L8	L12	M	MM	SW	PL	RT	T
φ32	22	30	16	47.5	24.3	G1/8	-6.7	33	17	M10×1.25	15	5	94	6	4.9	12	10	13	M6	6
φ40	24	35	16	53	27	G1/4	-10	35.8	18	M12×1.25	17	5	105	8	5.5	16	13	14	M6	6
φ50	32	40	16	65	33	G1/4	0.6	37	24	M16×1.5	24	5	106	8	7	20	17	14	M8	10
φ63	32	45	16	76	38.5	G3/8	3	38.3	24	M16×1.5	24	5	121	8	9	20	17	16	M8	10
φ80	40	45	21	95	48	G3/8	0	40	30	M20×1.5	30	6	128	11	12	25	22	16	M10	12
φ100	40	55	21	114	57.5	G1/2	4.5	43.2	30	M20×1.5	33	6	138	11	12	25	22	18	M10	12
Code																				
Bore size	TG	VD	WF	X	AB	AH	AO	AT	AU	LE	SA	TR	XA	RA	RB	RC	RF	PF	RE	
φ32	32.5	4	26	174.8	7	32	8	4	24	46	156	32	158	14	8	32.8	8	8	M12×1.25	
φ40	38	4	30	196	9	36	10	4	28	52	175	36	177	14	11	37	10	11	M16×1.5	
φ50	46.5	4	37	218	9	45	10	5	32	65	187	45	192	17	10.5	43	10	14	M20×1.5	
φ63	56.5	4	37	233	9	50	10	5	32	75	202	50	207	17	10.5	43	10	14	M20×1.5	
φ80	72	4	46	242	12	63	13	6	41	94	230	63	235	20	15	48	10	17	M24×1.5	
φ100	89	4	51	247	14.5	71	15	6	41	114	240	75	250	20	15	48	10	17	M24×1.5	
Code	With switch																			
Bore size	RD	HD	RD	HD																
φ32	4.5	4.5	7	7																
φ40	4.5	9.5	7	12																
φ50	5.5	7.5	8	9.5																
φ63	10	15.5	12.5	17.5																
φ80	14.5	14.5	17	17																
φ100	16.5	16.5	18.5	18.5																

SCWT2-R Series

Dimensions

●SCWT2-R

Axial foot type (LB)



a*Adjustable stroke range (Unit: mm)

Code	Axial foot (LB) basic dimensions																				
Bore size	A	B	BG	E	AK	EE	F	G	HW	KK	L2	L3	L8	L12	M	MM	SW	PL	RT		
φ32	22	30	16	47.5	24.3	G1/8	-6.7	33	17	M10×1.25	15	5	94	6	4.9	12	10	13	M6		
φ40	24	35	16	53	27	G1/4	-10	35.8	18	M12×1.25	17	5	105	8	5.5	16	13	14	M6		
φ50	32	40	16	65	33	G1/4	0.6	37	24	M16×1.5	24	5	106	8	7	20	17	14	M8		
φ63	32	45	16	76	38.5	G3/8	3	38.3	24	M16×1.5	24	5	121	8	9	20	17	16	M8		
φ80	40	45	21	95	48	G3/8	0	40	30	M20×1.5	30	6	128	11	12	25	22	16	M10		
φ100	40	55	21	114	57.5	G1/2	4.5	43.2	30	M20×1.5	33	6	138	11	12	25	22	18	M10		
Code																					
Bore size	T	TG	VD	WF	X	O	P	AB	AH	AO	AT	AU	LE	SA	TR	XA	RA	RB	RC	RF	PF
φ32	6	32.5	4	26	174.8	58	38	7	32	8	4	24	46	156	32	158	14	8	32.8	8	8
φ40	6	38	4	30	196	64	40	9	36	10	4	28	52	175	36	177	14	11	37	10	11
φ50	10	46.5	4	37	218	72	42	9	45	10	5	32	65	187	45	192	17	10.5	43	10	14
φ63	10	56.5	4	37	233	83	46	9	50	10	5	32	75	202	50	207	17	10.5	43	10	14
φ80	12	72	4	46	242	103	56	12	63	13	6	41	94	230	63	235	20	15	48	10	17
φ100	12	89	4	51	247	120	63	14.5	71	15	6	41	114	240	75	250	20	15	48	10	17
Code			With switch																		
Bore size	RE	RD	HD	RD	HD																
φ32	M12×1.25	4.5	4.5	7	7																
φ40	M16×1.5	4.5	9.5	7	12																
φ50	M20×1.5	5.5	7.5	8	9.5																
φ63	M20×1.5	10	15.5	12.5	17.5																
φ80	M24×1.5	14.5	14.5	17	17																
φ100	M24×1.5	16.5	16.5	18.5	18.5																

* 1: Middle swing bracket (shown by double-dotted line) is added according to stroke. Refer to Page 10 of C-CC-1362C□ for the size.

* 2: When the mounting style is LB, the pitch in the axial direction of the mounting hole is different from that of the standard. Other mounting dimensions and accessory dimensions are the same as those of the standard.

If the goods and/or their replicas, the technology and/or software found in this catalog are to be exported from Japan, Japanese laws require that the exporter makes sure that they will never be used for the development and/or manufacture of weapons for mass destruction.

CKD (China) Corporation Sales Department

<Website>
http://www.ckd.sh.cn/

601, 6F, Yuanzhong R&D Building, No.1905 Hongmei Road,
Xuhui District, Shanghai 200233
Tel (021) 61911888 Fax (021) 60905357

● Product specifications and appearances described in this catalog are subject to change without notice for purpose of improvement.
©CKD Corporation 2019 All copy rights reserved.
© Published by CKD (China) Corporation 2019