

# Double acting/stroke adjustable cylinder (push) SCW\*2-P Series



### Main Features

- Conforming to ISO15552 standard
- Extended stroke length can be adjusted easily
- Switches can be optionally mounted

### Specifications

Description	SCW*2-P						
	Bore size	mm	φ 32	φ 40	φ 50	φ 63	φ 80
Working fluid	Clean compressed air						
Max. working pressure	MPa	1.0					
Min. working pressure	MPa	0.1					
Withstanding pressure	MPa	1.5					
Ambient temperature	°C	-10 to 60 (No freezing)					
Stroke tolerance	mm	0 to 1.4					
Working piston speed	mm/s	50 to 1000					
Cushion	Air cushion						
Effective cushion length	mm	15	15	16.4	16.4	23.4	23.4
Lubrication	No						
Allowable absorption energy with cushion	J	2.5	6.0	9.0	14.4	25.4	45.6

### Stroke length

Bore size (mm)	Standard stroke length (mm)	Max. stroke length (mm)	Available stroke length (mm)	Min. stroke length (mm)
φ 32	25, 50, 80, 100, 125, 160, 200, 250, 320, 400, 500, 600, 700, 800	500	800 <sup>Note</sup>	25
φ 40		500		
φ 50		600		
φ 63		600		
φ 80		800		
φ 100		800		

Note: If the max. stroke length is exceeded, product specifications may not be met, depending on operating conditions. Contact CKD in this case.

### Consumable parts list

S/N	Bore size	Kit number
1	φ 32	SCWP2-P-32K
2	φ 40	SCWP2-P-40K
3	φ 50	SCWP2-P-50K
4	φ 63	SCWP2-P-63K
5	φ 80	SCWP2-P-80K
6	φ 100	SCWP2-P-100K

Note: applicable to both SCWP2-P and SCWT2-P.

### Cylinder mass

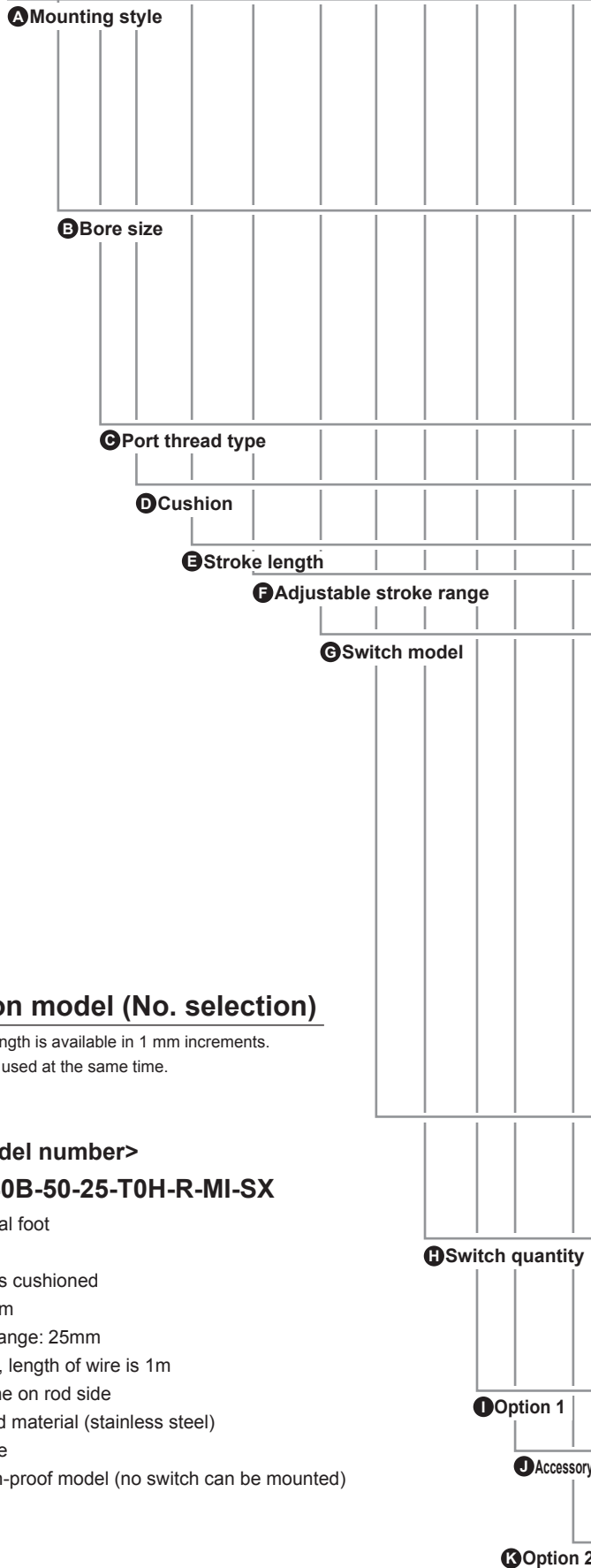
(Unit: kg)

Bore size (mm)	Product mass when stroke length(s)=0(mm)				Additional mass per S=50(mm)	Mass per TOH switch	Mass of switch mounting parts (T-shaped)	Accessory mass	
	Basic (00)	Foot (LB)	Flange (FA)	Trunnion (TA, TB, TC)				I	Y
SCWP2-P- φ 32	0.89	0.95	1.11	—	0.20	0.018	—	0.07	0.10
φ 40	1.20	1.30	1.48	—	0.28		—	0.07	0.13
φ 50	1.59	1.72	2.07	—	0.41		—	0.20	0.30
φ 63	2.48	2.72	3.24	—	0.42		—	0.20	0.30
φ 80	4.33	4.56	5.90	—	0.74		—	0.52	0.94
φ 100	6.04	6.59	8.36	—	0.74		—	0.48	0.92
SCWT2-P- φ 32	0.86	0.92	1.08	1.03	0.13		0.024	0.07	0.10
φ 40	1.15	1.25	1.43	1.49	0.21		0.024	0.07	0.13
φ 50	1.50	1.63	1.98	1.98	0.30		0.022	0.20	0.30
φ 63	2.35	2.59	3.11	3.23	0.32		0.020	0.20	0.30
φ 80	4.02	4.25	5.59	5.51	0.58		0.026	0.52	0.94
φ 100	5.72	6.27	8.04	8.29	0.55		0.024	0.48	0.92

# SCW\*2-P Series

## How to order

SCWP2-P - LB - 40 - B - 50 - 25 - T0H - R - M I - SX  
 SCWT2-P



A Mounting style				
00	ISO type	Basic		
LB	MS1	Axial foot		
FA	MF1	Rod side flange		
TC	MT4	Intermediate trunnion (SCWT2-P only)		
TA		Rod side trunnion (SCWT2-P only)		
TB		Head side trunnion (SCWP2-P only)		
B Bore size (mm)				
32	φ 32			
40	φ 40			
50	φ 50			
63	φ 63			
80	φ 80			
100	φ 100			
C Port thread type				
Blank	Straight port thread			
D Cushion				
B	Both sides cushion (basic)			
E Stroke length (mm) (details in stroke length specification on the previous page)				
F Adjustable stroke range (mm)				
25, 50, 75, 100				
G Switch model				
Lead write Straight type	Lead write L-type	Contact	Display	Lead wire
T0H *	T0V *	Reed	1-color indicator	2-wire
T5H *	T5V *		Without indicator	
T8H *	T8V *		1-color indicator	
T1H *	T1V *	Proximity	1-color indicator	2-wire
T2H *	T2V *			3-wire
T3H *	T3V *		2-wire	
T2WH *	T2WV *			2-color indicator
T2YH *	T2YV *		3-wire	
T3WH *	T3WV *			1-color indicator
T3YH *	T3YV *		2-wire	
T3PH *	T3PV *			Switch for strong magnetic field
T2YD *	—		Off-delay	
T2YDT *	—			2-wire
T2JH *	T2JV *	2-wire		
*Lead wire length				
Blank	1 m (standard)			
3	3 m (option)			
5	5 m (option)			
H Switch quantity				
R	One on rod side			
H	One on head side			
D	Two			
T	Three			
I Option 1				
M	Piston rod material (stainless steel)			
J Accessory				
I	ISO8139	Rod eye		
Y	ISO8140	Rod clevis (with shaft pin and cotter pin)		
K Option 2				
Blank	Standard cylinder			
SX	Explosion-proof model (no switch can be mounted)			

### ⚠ Cautions on model (No. selection)

- \* 1: The custom stroke length is available in 1 mm increments.
- \* 2: "I" and "Y" cannot be used at the same time.

### <Example of model number>

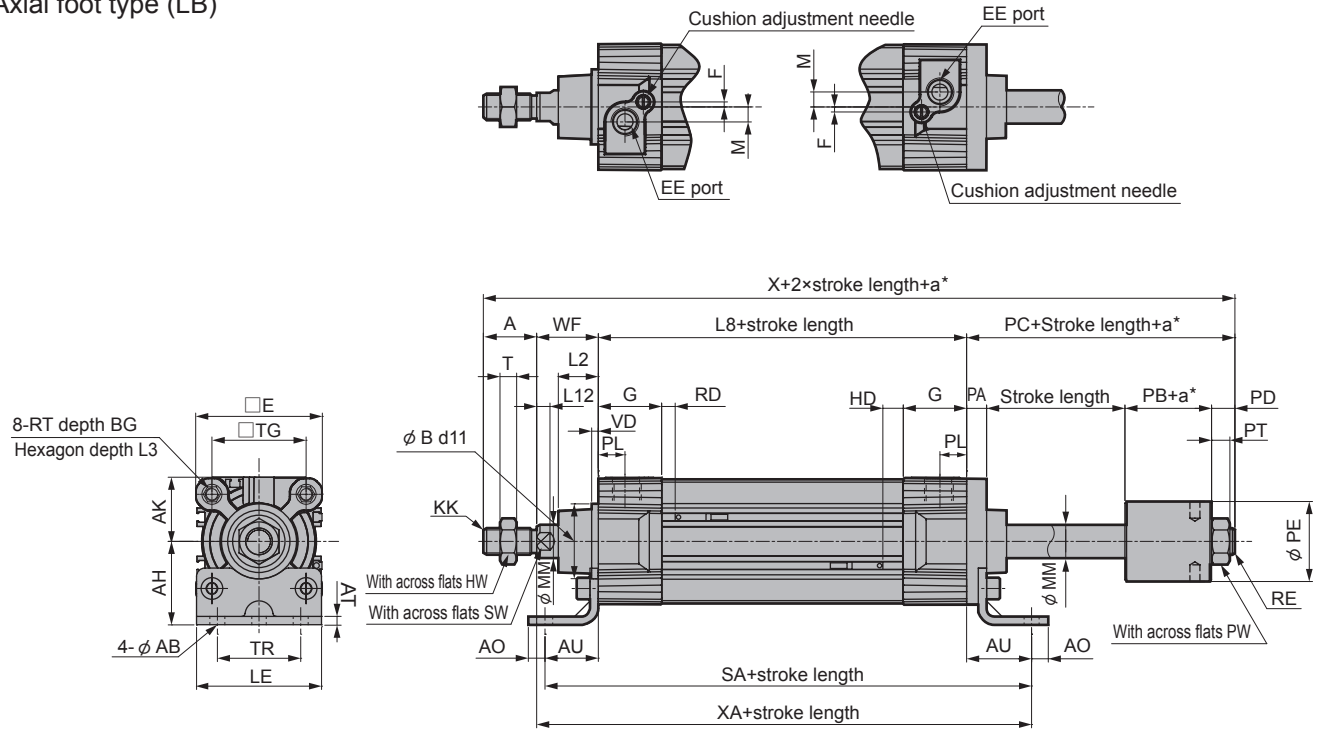
**SCWP2-P-LB-40B-50-25-T0H-R-MI-SX**

- A** Mounting style: Axial foot
- B** Bore size: φ 40
- D** Cushion: Both sides cushioned
- E** Stroke length: 50mm
- F** Adjustable stroke range: 25mm
- G** Switch model: T0H, length of wire is 1m
- H** Switch quantity: One on rod side
- I** Option 1: Piston rod material (stainless steel)
- J** Accessory: Rod eye
- K** Option 2: Explosion-proof model (no switch can be mounted)

### Dimensions

●SCWP2-P

Axial foot type (LB)



a\*Adjustable stroke range (Unit: mm)

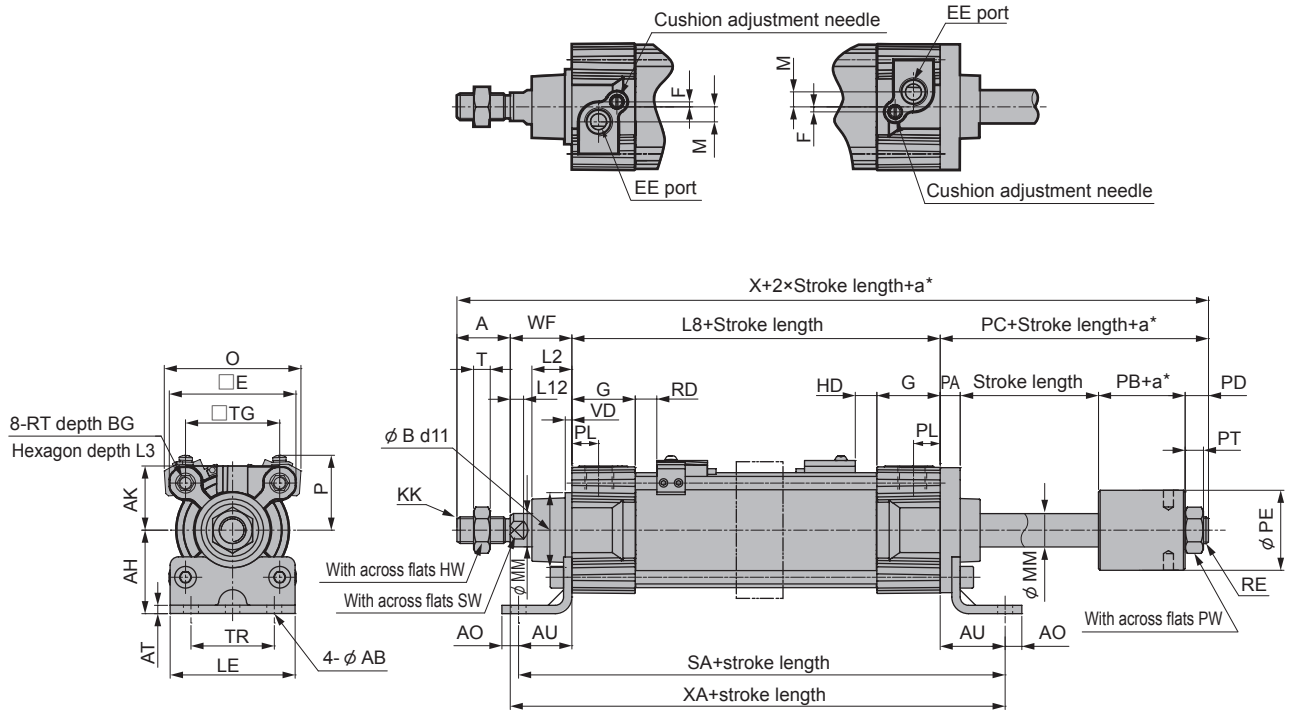
Code	Axial foot (LB) basic dimensions																			
Bore size	A	B	BG	E	AK	EE	F	G	HW	KK	L2	L3	L8	L12	M	MM	SW	PL	RT	T
φ32	22	30	16	47.5	24.3	G1/8	-6.7	33	17	M10×1.25	15	5	94	6	4.9	12	10	13	M6	6
φ40	24	35	16	53	27	G1/4	-10	35.8	18	M12×1.25	17	5	105	8	5.5	16	13	14	M6	6
φ50	32	40	16	65	33	G1/4	0.6	37	24	M16×1.5	24	5	106	8	7	20	17	14	M8	10
φ63	32	45	16	76	38.5	G3/8	3	38.3	24	M16×1.5	24	5	121	8	9	20	17	16	M8	10
φ80	40	45	21	95	48	G3/8	0	40	30	M20×1.5	30	6	128	11	12	25	22	16	M10	12
φ100	40	55	21	114	57.5	G1/2	4.5	43.2	30	M20×1.5	33	6	138	11	12	25	22	18	M10	12
Code																				
Bore size	TG	VD	WF	X	AB	AH	AO	AT	AU	LE	SA	TR	XA	PA	PB	PC	PD	PT	RE	
φ32	32.5	4	26	196	7	32	8	4	24	46	146	32	148	16	29	54	9	6	M10×1.25	
φ40	38	4	30	215	9	36	10	4	28	52	165	36	167	16	29	56	11	8	M14×1.5	
φ50	46.5	4	37	236	9	45	10	5	32	65	177	45	182	12	35	61	11	11	M18×1.5	
φ63	56.5	4	37	251	9	50	10	5	32	75	192	50	197	12	35	61	14	11	M18×1.5	
φ80	72	4	46	279	12	63	13	6	41	94	220	63	225	16	33	65	16	13	M22×1.5	
φ100	89	4	51	303	14.5	71	15	6	41	114	230	75	240	16	42	74	16	13	M22×1.5	
Code	With switch																			
Bore size	PW	PE	RD	HD	RD	HD														
φ32	17	40	4.5	4.5	7	7														
φ40	19	40	4.5	9.5	7	12														
φ50	27	48	5.5	7.5	8	9.5														
φ63	27	48	10	15.5	12.5	17.5														
φ80	32	60	14.5	14.5	17	17														
φ100	32	70	16.5	16.5	18.5	18.5														

# SCWT2-P Series

## Dimensions

### ●SCWT2-P

Axial foot type (LB)



a\*Adjustable stroke range (Unit: mm)

Code	Axial foot (LB) basic dimensions																				
Bore size	A	B	BG	E	AK	EE	F	G	HW	KK	L2	L3	L8	L12	M	MM	SW	PL	RT		
φ 32	22	30	16	47.5	24.3	G1/8	-6.7	33	17	M10×1.25	15	5	94	6	4.9	12	10	13	M6		
φ 40	24	35	16	53	27	G1/4	-10	35.8	18	M12×1.25	17	5	105	8	5.5	16	13	14	M6		
φ 50	32	40	16	65	33	G1/4	0.6	37	24	M16×1.5	24	5	106	8	7	20	17	14	M8		
φ 63	32	45	16	76	38.5	G3/8	3	38.3	24	M16×1.5	24	5	121	8	9	20	17	16	M8		
φ 80	40	45	21	95	48	G3/8	0	40	30	M20×1.5	30	6	128	11	12	25	22	16	M10		
φ 100	40	55	21	114	57.5	G1/2	4.5	43.2	30	M20×1.5	33	6	138	11	12	25	22	18	M10		
Code	With switch																				
Bore size	T	TG	VD	WF	X	O	P	AB	AH	AO	AT	AU	LE	SA	TR	XA	PA	PB	PC	PD	PT
φ 32	6	32.5	4	26	196	58	38	7	32	8	4	24	46	146	32	148	16	29	54	9	6
φ 40	6	38	4	30	215	64	40	9	36	10	4	28	52	165	36	167	16	29	56	11	8
φ 50	10	46.5	4	37	236	72	42	9	45	10	5	32	65	177	45	182	12	35	61	11	11
φ 63	10	56.5	4	37	251	83	46	9	50	10	5	32	75	192	50	197	12	35	61	14	11
φ 80	12	72	4	46	279	103	56	12	63	13	6	41	94	220	63	225	16	33	65	16	13
φ 100	12	89	4	51	303	120	63	14.5	71	15	6	41	114	230	75	240	16	42	74	16	13
Code	With switch																				
Bore size	RE	PW	PE	RD	HD	RD	HD														
φ 32	M10×1.25	17	40	4.5	4.5	7	7														
φ 40	M14×1.5	19	40	4.5	9.5	7	12														
φ 50	M18×1.5	27	48	5.5	7.5	8	9.5														
φ 63	M18×1.5	27	48	10	15.5	12.5	17.5														
φ 80	M22×1.5	32	60	14.5	14.5	17	17														
φ 100	M22×1.5	32	70	16.5	16.5	18.5	18.5														

\* 1: Middle swing bracket (shown by double-dotted line) is added according to stroke. Refer to Page 10 of C-CC-1362C□□ for the size.

\* 2: When the mounting style is LB, the pitch in the axial direction of the mounting hole is different from that of the standard. Other mounting dimensions and accessory dimensions are the same as those of the standard.

If the goods and/or their replicas, the technology and/or software found in this catalog are to be exported from Japan, Japanese laws require that the exporter makes sure that they will never be used for the development and/or manufacture of weapons for mass destruction.

**CKD (China) Corporation**

Headquarters

Address: No.21 Xinhua Road, New District, Wuxi, Jiangsu Province China 214028

<Website>

Tel: +86(0510)85345300 Fax: +86(0510)85345310

<http://www.ckd.com.cn/>

● CKD maintains a policy of ongoing product development and improvement.

We therefore reserve the right to change dimensions, specifications and design without notice

© CKD Corporation 2019 All copy rights reserved.

© Published by CKD (China) Corporation 2019

2019.5.ACNBC