

Manual switching valve H₃V^C_E Series



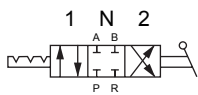
Features

Compact and Light

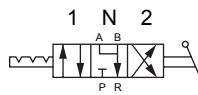
Downsizing by using different materials.
Footprint:40% reduction.
Weight:60% reduction.
(Max.value compared with our former model.)

JIS symbol

●H2VC/H3VC
(Center-close)
Handle position



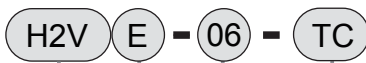
●H2VE/H3VE
(ABR connection)
Handle position



Common specifications

Descriptions	H2VC		H2VE		H3VC		H3VE		
Valve type and operations	Centre-close		ABR connection		Center-close		ABR connection		
Working fluid	Compressed air								
Max.working pressure	MPa				1.0				
Min.working pressure	MPa				0				
Withstanding pressure	MPa				1.2				
Ambient temperature	°C				5~50				
Fluid temperature	°C				5~50				
Working environment	Not available in the corrosive gas atmosphere								
Lubrication	Not required(Turbine oil ISO VG32 should be used for lubrication)								
Protective structure	Dust proof								
Operation angle	degree				90				
Port size	G 1/8"	G 1/4"	G 1/8"	G 1/4"	G 1/4"	G 3/8"	G 1/4"	G 3/8"	
Conductance of sound speed	C[dm ³ /(s · bar)]				2.4		4.8		
Weight	kg	0.40	0.38	0.37	0.36	0.65	0.64	0.61	0.60

How to order



a) Model no.

b) Handle position

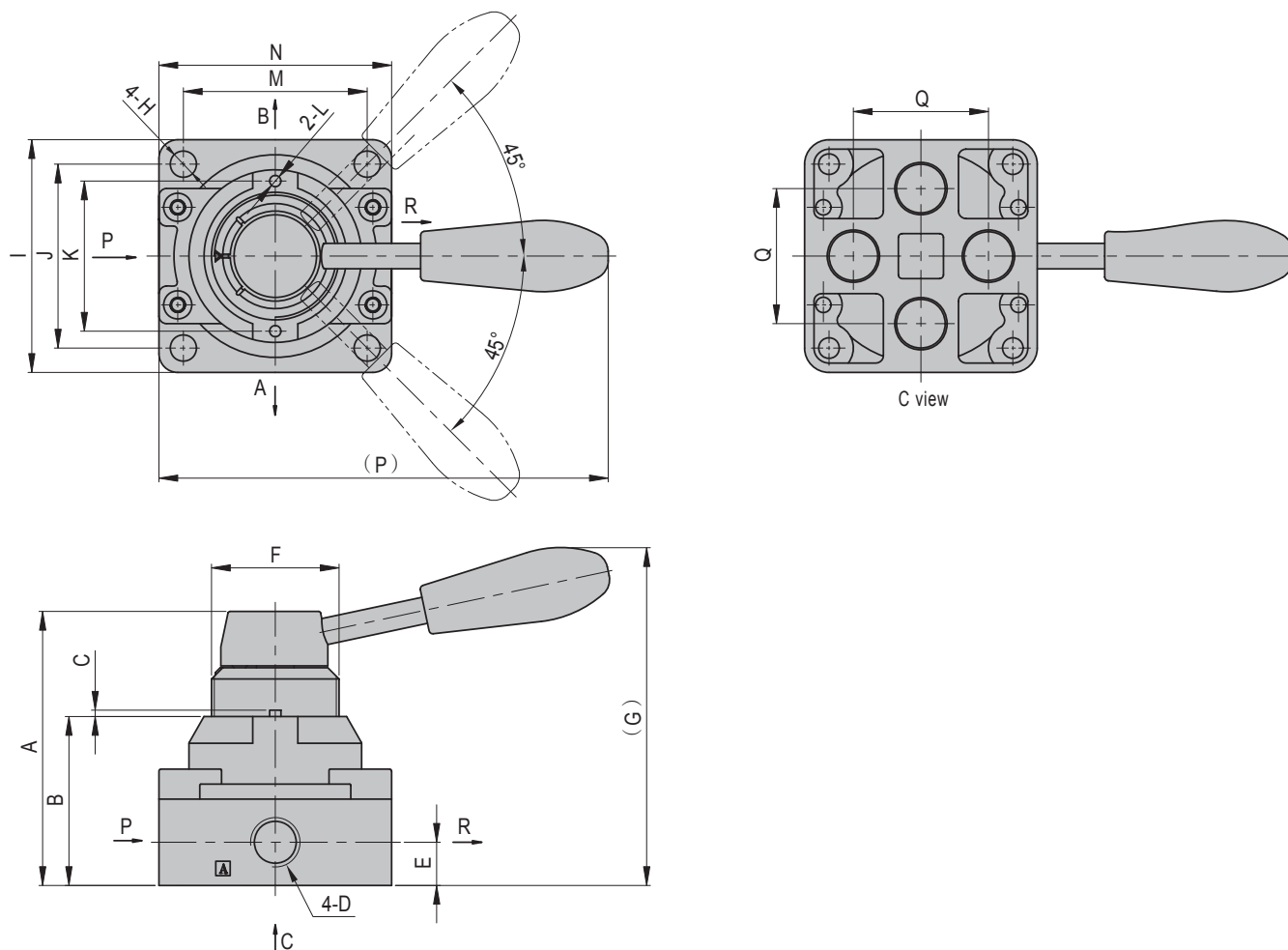
c) Port size

d) Piping

a) Model no.

Symbol	Descriptions	H2V	H3V
b) Handle position			
C	3-position center-close	●	●
E	3-position ABR connection	●	●
c) Port size			
06	G 1/8"	●	
08	G 1/4"	●	●
10	G 3/8"		●
d) Piping			
Blank	Rubber seal(center-close only)	●	●
TC	Celamic seal(ABR connection only)	●	●

Dimensions



(mm)

Model no.	A	B	C	D	E	F	(Reference Pannel hole size)	G	H	I	J	K	L	M	N	P	Q
H2VC-06	73	45	1.7	G1/8	11.5	M34×1.5	(ø35)	92.5	7	62	49	40	3	49	62	120	36
H2VC-08	73	45	1.7	G1/4	11.5	M34×1.5	(ø35)	92.5	7	62	49	40	3	49	62	120	36
H2VE-06-TC	73	45	1.7	G1/8	11.5	M34×1.5	(ø35)	92.5	7	62	49	40	3	49	62	120	36
H2VE-08-TC	73	45	1.7	G1/4	11.5	M34×1.5	(ø35)	92.5	7	62	49	40	3	49	62	120	36
H3VC-08	93.5	56	1.5	G1/4	13.5	M40×1.5	(ø41)	109	7	74	62	51	3	62	74	140	44
H3VC-10	93.5	56	1.5	G3/8	13.5	M40×1.5	(ø41)	109	7	74	62	51	3	62	74	140	44
H3VE-08-TC	93.5	56	1.5	G1/4	13.5	M40×1.5	(ø41)	109	7	74	62	51	3	62	74	140	44
H3VE-10-TC	93.5	56	1.5	G3/8	13.5	M40×1.5	(ø41)	109	7	74	62	51	3	62	74	140	44

CKD Thai Corporation Ltd.

Web <http://www.ckdthai.com>

SALES HEADQUARTERS

Suwan Tower, 14/1 Soi Saladaeng 1, North Sathorn Rd., Kwaeng Silom, Khet Bangrak, Bangkok 10500
 TEL : (0)2-267-6300 FAX : (0)2-267-6305

FACTORY AND HEADQUARTER

Amata Nakorn Industrial Estate, 700/58 Moo 1, Bangna-Trad Km.58 Road Tambol Bankao, Amphur Panthong, Chonburi 20160

RAYONG OFFICE

TEL : (0)38-214-646/648 FAX : (0)38-459-037

NAVANAKORN OFFICE

TEL : (0)3860-8296 FAX : (0)3860-8297

EASTERN SEABORD OFFICE

TEL : (0)2-908-2056-60 FAX : (0)2-908-2061-62

LAMPHUN OFFICE

TEL : (0)53-582-116 FAX : (0)53-582-079

KORAT OFFICE

TEL : (0)38-331-001-4 FAX : (0)38-331-005

AMATANAKORN OFFICE

TEL : (0)44-248-860 FAX : (0)44-248-862
 TEL : (0)38-717-419 FAX : (0)38-717-420

● Specifications are subject to change without notice.

© CKD Corporation 2012 All copy rights reserved.

© CKD Thai Corporation Ltd. 2012 All copy rights reserved.

2012.5.YTHZZ