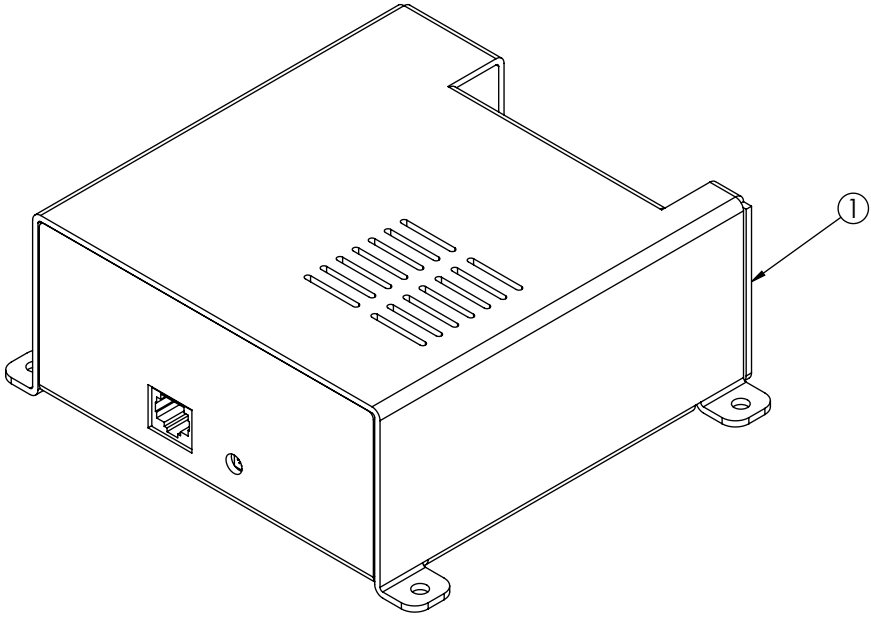


REVISION HISTORY		
REV.	DESCRIPTION	DATE
01	PRELIMINARY RELEASE PER EP0150	2023-02-13
A	INITIAL RELEASE PER EP0150	2023-03-09



ITEM NO.	QTY.	PART NUMBER	DESCRIPTION	COMMENTS
1	1	140-2440-00	ASSY.SUB.AMPLIFIER,H3CS	
2	1	690-0994-00	ASSY.CABLE,EXT,12',H3 COVERT SIREN	NOT SHOWN
3	1	905-3149-00	LABEL.PRODUCT,H3CS	NOT SHOWN
4	1	908-0139-00	LABEL.DECAL,H3CS	NOT SHOWN
5	1	908-0140-00	LABEL.DECAL,H3CS,WIRING	NOT SHOWN
6	1	920-0961-00	SHEET,INSTRUCTION,H3CS	NOT SHOWN
7	1	950-0178-00	BOX,PLAIN,10.67"X7.48"X3.03"	NOT SHOWN
8	1	T09936	WARNINGS FOR SIREN PRODUCTS-INSTRUCTION INSERT	NOT SHOWN

APPROVALS	DATE
DRAWN BY BTK	2023-02-13
CHECKED ABD	2023-02-14
MECH. ENG. LRA	2023-02-16
ELEC. ENG. DSM	2023-03-03
MFG. ENG. NT	2023-02-14



United States
1-800-635-5900
Americas@eccogroup.com

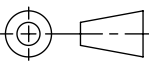
United Kingdom
+44 (0)113 237 5340
Europe@eccogroup.com

Australia
+61 (0)3 63322444
AsiaPacific@eccogroup.com

ASSY.SUB.AMPLIFIER,H3CS

PROPRIETARY AND CONFIDENTIAL INFORMATION

THIS DRAWING AND THE DESIGN AND OTHER INFORMATION DISCLOSED HEREIN ARE THE PROPERTY OF ELECTRONIC CONTROLS COMPANY AND/OR ITS ECCO SAFETY GROUP AFFILIATES ("ESG") AND IS ISSUED IN CONFIDENCE TO RECIPIENT FOR ENGINEERING INFORMATION PURPOSES ONLY. THIS DRAWING AND THE DESIGN AND OTHER INFORMATION DISCLOSED HEREIN MAY NOT BE USED, COPIED, REPRODUCED OR OTHERWISE DISCLOSED IN PART OR IN WHOLE TO THIRD PARTIES OR USED FOR ANY OTHER PURPOSE WITHOUT PRIOR ESG WRITTEN CONSENT. ESG RESERVES ALL PATENT, COPYRIGHT, TRADEMARK AND OTHER PROPRIETARY RIGHTS TO THIS DOCUMENT, INCLUDING ALL DESIGN, MANUFACTURING, REPRODUCTION, USE AND SALES RIGHTS THERETO. THIS DRAWING IS SUBJECT TO RECALL BY ESG AT ANY TIME, AND YOUR POSSESSION AND/OR USE CONSTITUTES ACCEPTANCE OF THESE TERMS. ©2023 ELECTRONIC CONTROLS COMPANY



SCALE 1:2

CAD GENERATED DRAWING
DO NOT MANUALLY UPDATE.

Electronically Controlled Use Latest Copy

SIZE: A	DWG. NO. 140-2544-00	REV. A
SHEET 1 OF 1		Date Created: 2023-02-13
Project: EP0150		