



DIRECTIONALS

CD5051VDL2 Series Deck, Dash & Visor Light



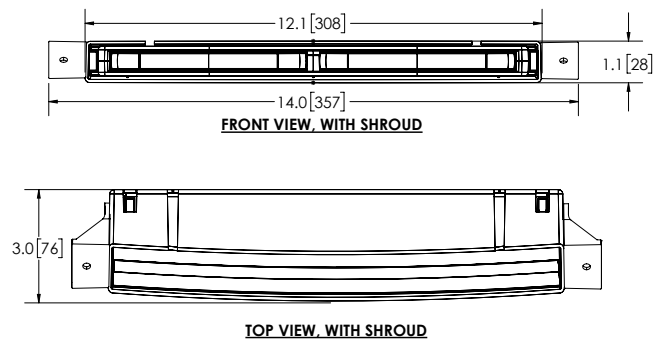
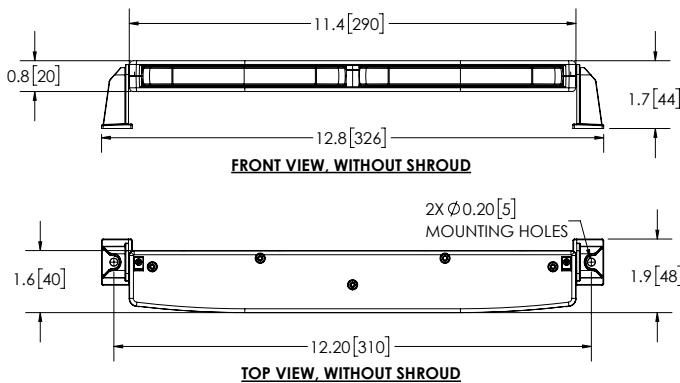
Code 3's low-profile CD5051VDL2 deck, dash and visor light delivers discreet warning wherever an interior light is needed for an emergency services vehicle. Permanently or temporarily mount the warning light with included brackets using suction cups, tape or screws. The dual-colour LED light heads are available in combinations of white and red or blue colours, which are capable of producing 67 flash patterns including steady-burn. The cigarette plug adapter also includes a simple two-button controller. The removable shroud prevents unwanted flash back from the windshield.

Design Features

- 67 flash patterns
- Contains two ED5051 dual-colour lighthoods in a compact unit
- Sleek design for low-profile applications
- Removable visor hood for versatile use on deck, dash or windows
- Multiple brackets included for permanent mount (screws or tape) or temporary mount (suction cups)
- Cigarette plug adapter and controller with flash pattern selector
- Temperature range: -40°C to 65°C (-40°F to 149°F)

Models

PART NO.	LED COLOUR	VDC	AMPS
CD5051VDL2-RW		12-24	1.7
CD5051VDL2-RWBW		12-24	1.7



T: 1800 025 921 | E: esgapsales@esg.global