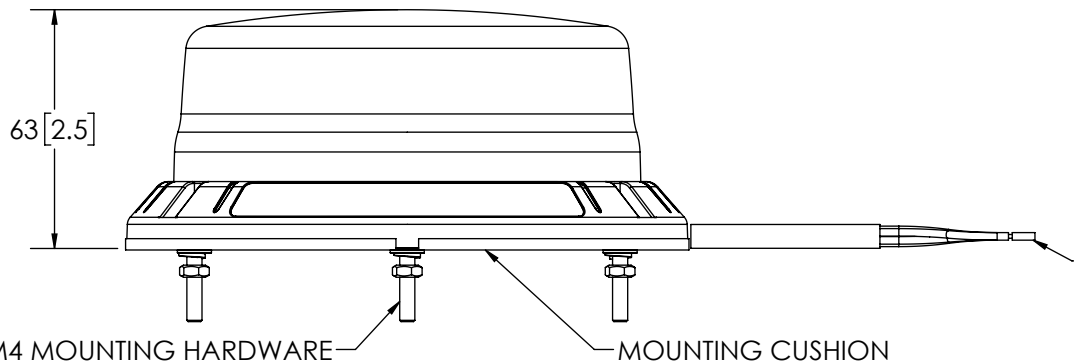
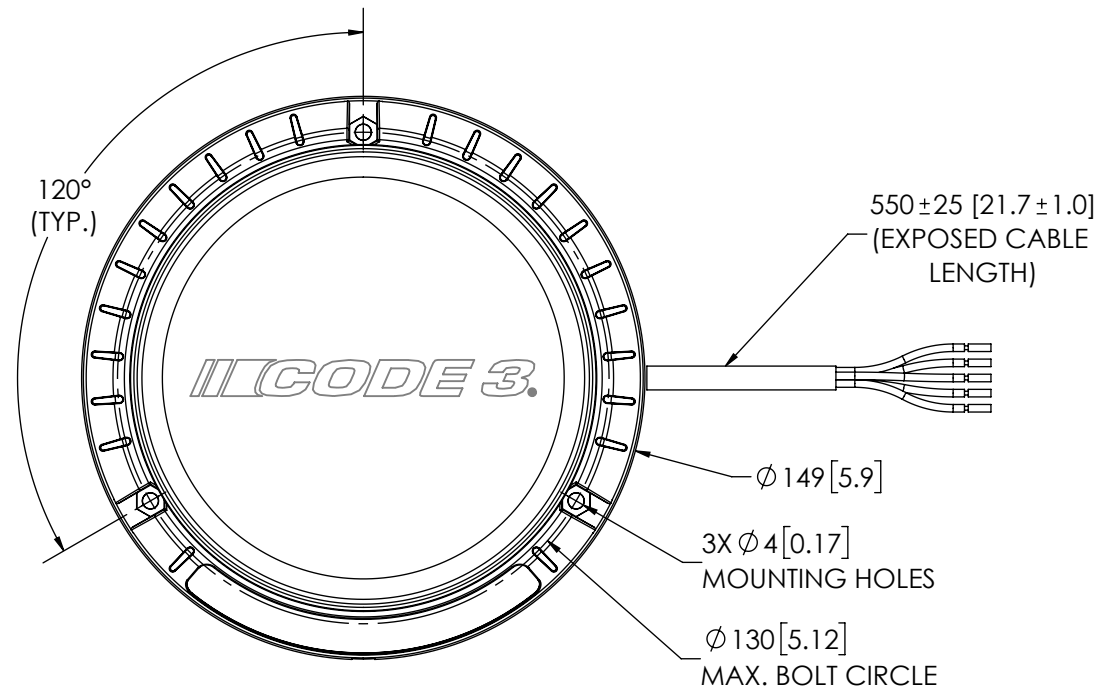


REVISION HISTORY		
REV.	DESCRIPTION	DATE
01	PRELIMINARY RELEASE PER LP0001	2020-10-28
A	INITIAL RELEASE PER LP0001	2020-11-04

SPECIFICATIONS

- CERTIFICATIONS:** ; ECE R10; Reg 65 (SEE CHART); IP69K
 Note: Unique components, accessories, and hardware kits are not typically included in the Product Certification Test Protocols. Unless otherwise Specified, the Product Certifications referred to herein are predicated upon the base product model configuration.
- FLASH MODE:** ROTATE : 150 ± 10 FLASHES PER MINUTE
 SINGLE : 150 ± 10 FLASHES PER MINUTE
 DOUBLE : 150 ± 10 FLASHES PER MINUTE
 TRIPLE : 150 ± 10 FLASHES PER MINUTE
 QUAD : 150 ± 10 FLASHES PER MINUTE
 AIRPORT : 75 ± 5 FLASHES PER MINUTE
- VOLTAGE (NOMINAL):** 12-24 VDC
- VOLTAGE (EXTREME):** 10-32 VDC
- CURRENT (PEAK):** 5.5A (@ 10.5 VDC NOMINAL)
- POWER (MAXIMUM):** 60W (@ 10.5 VDC NOMINAL)
- TEMPERATURE RANGE:** -30°C (-22°F) TO 50°C (122°F)
- CONNECTION:** 5-18 AWG. WIRES
- MOUNTING:** 3 BOLT
- BASE MATERIAL:** ALUMINIUM
- LENS MATERIAL:** POLYCARBONATE
- PRODUCT WEIGHT:** 0.45 Kg (0.99 LBS)



5-18 AWG WIRES
 RED - POSITIVE (+) COLOUR 1
 WHITE - POSITIVE (+) N/A
 BLACK -NEGATIVE (-)
 BLUE - PATTERN SELECT & DIM
 YELLOW - SYNC

FGS. PRODUCT CHART		
FGS. NO.	COLOUR	ECE R65
CB5102CB	CLEAR/BLUE	YES
CB5102CR	CLEAR/RED	YES

- NOTES:**
- ROHS COMPLIANT
 - DIMENSIONS IN MILLIMETRES [INCHES (FOR REFERENCE)]

SCALE 1:2		APPROVALS	DATE
CAD GENERATED DRAWING DO NOT MANUALLY UPDATE. MODEL REFERENCED: B+		DRAWN BY: LSH	2020-11-03
TOLERANCES ARE IN INCHES, AND MILLIMETERS TOLERANCES UNLESS OTHERWISE STATED ARE:		CHECKED: GM	2020-11-04
MILLIMETERS DECIMALS XX ± 1.0mm XX.X ± 0.5mm	INCHES DECIMALS X.X ± 0.1 X.XX ± 0.04 X.XXX ± 0.02	MECH. ENG. SGS	2020-11-04
		ELEC. ENG. MMG	2020-10-29
		TEST ENG. FP	2020-11-03
		SALES. GM	2020-11-04
THIRD ANGLE PROJECTION		Electronically Controlled Use Latest Copy	

CODE 3.
www.code3esg.com

Americas (314) 426-2700 | Europe +44 (0)113 239 1111 | Asia Pacific +61 (0)7 32937900

LOW PROFILE, 3 BOLT, R65, 12/24V

CUSTOMER PART NO.
SEE CHART

SIZE: A4	DWG. NO. CB5102XX	REV. A
SHEET 1 OF 1	Project: LP0001	Date Created: 2020-10-27

PROPRIETARY AND CONFIDENTIAL INFORMATION

THIS DRAWING AND THE DESIGN AND OTHER INFORMATION DISCLOSED HEREIN ARE THE PROPERTY OF ELECTRONIC CONTROLS COMPANY AND/OR ITS ECCO SAFETY GROUP AFFILIATES ("CODE3") AND IS ISSUED IN CONFIDENCE TO RECIPIENT FOR ENGINEERING INFORMATION PURPOSES ONLY. THIS DRAWING AND THE DESIGN AND OTHER INFORMATION DISCLOSED HEREIN MAY NOT BE USED, COPIED, REPRODUCED OR OTHERWISE DISCLOSED IN PART OR IN WHOLE TO THIRD PARTIES OR USED FOR ANY OTHER PURPOSE WITHOUT PRIOR CODE3 WRITTEN CONSENT. CODE3 RESERVES ALL PATENT, COPYRIGHT, TRADEMARK AND OTHER PROPRIETARY RIGHTS TO THIS DOCUMENT, INCLUDING ALL DESIGN, MANUFACTURING, REPRODUCTION, USE AND SALES RIGHTS THEREOF. THIS DRAWING IS SUBJECT TO REC ALL BY CODE3 AT ANY TIME, AND YOUR POSSESSION AND/OR USE CONSTITUTES ACCEPTANCE OF THESE TERMS. ©2020 ELECTRONIC CONTROLS COMPANY