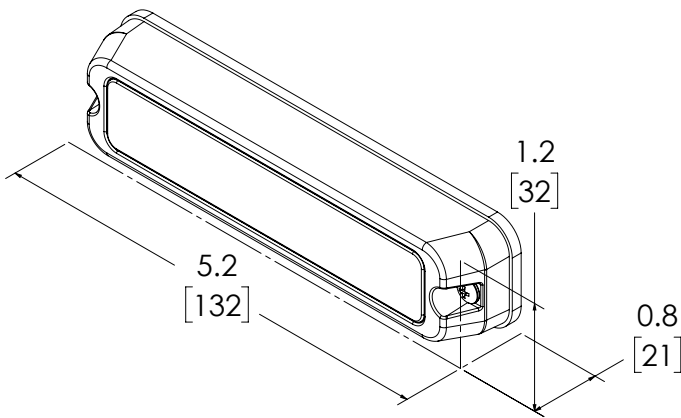


## MR6 SERIES MULTI-MOUNT



The MR6 delivers exceptional straight-on and off-angle performance with its total internal reflector (TIR) or linear optics technology. Mount it flush on the vehicle's surface, on the hood, on the hatch or virtually anywhere. It is available in single-, dual- and tri-colour LED configurations with five colour options. Features include a water-resistant design, phase syncing capability and sync function with Code Chase™ and M180™ exterior lights.



VOLTS   AMPS	12-24V   0.9A (Single), 1.25A (Dual)
DIMS	1.2" H x 5.2" L x 0.8" D   32mm H x 132mm L x 20mm D
MOUNTING HOLE SPACING	4.74"   121mm
FLASH PATTERNS	29 Single, 69 Dual,
CERTS	[CLASS I (SAE J595), CA T13 (excludes split)], [ECE REG 65 (excludes split), R10 (excludes tri)], IP67
DETAILS	<ul style="list-style-type: none"> <li>• Single- or split-colour models have Total Internal Reflector (TIR) optic LEDs</li> <li>• Dual-colour and tri-colour models have linear optic LEDs</li> <li>• 6 LED single colour, 12 LED dual-colour, 18 LED tri-colour</li> <li>• Sync-capable with XTP, Mega Thin™, M180™, MICROPAK, CD5051, HB12PAK and CD9215</li> <li>• Multiple flash patterns with phase 1 and phase 2 syncing capabilities</li> <li>• Black powder coated metal housing</li> <li>• Brackets included for surface mount, edge mount with 30° adjustable pivoting</li> </ul>

REPLACE " \_ " with A = Amber, B = Blue, G = Green, R = Red, W = White

MODEL	TYPE	ILLUMINATION COLOURS
MR6-__	Single	A, B, G, R, W
MR6MC-__	Dual	AG, AW, BA, BW, RA, RB, RW