



## DIRECTIONAL LEDS

### MR6 Pulse Series Multi-mount



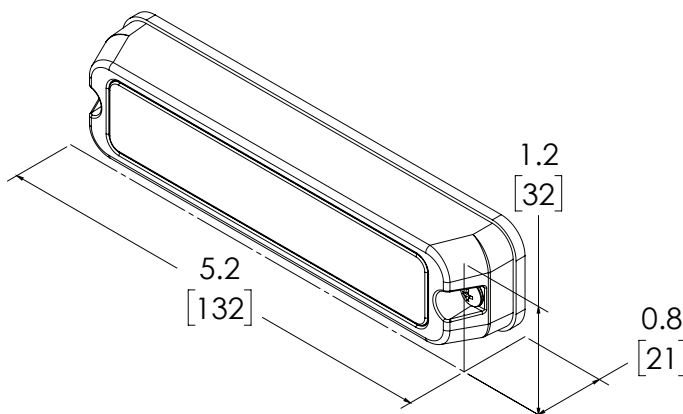
Introducing the MR24QP-RBAW: The Ultimate in Customisable Lighting Solutions! Upgrade your vehicle's lighting game with the all-new MR24QP-RBAW. This advanced light is easy to install with just two wires, making setup and configuration a breeze. The flash patterns and functionality are fully controlled using our proprietary Code 3 DNA (C3DNA) software and Switch Node. Experience unparalleled performance with our Total Internal Reflector (TIR) optic technology, delivering exceptional visibility straight-on and off-angled. Mount it flush on your vehicle's surface, hood, hatch, or virtually anywhere you need it. The MR24QP-RBAW is the perfect blend of innovation, performance, and versatility.

#### Model

PART NO.	LED COLOUR	LENS	VDC	AMPS
MR24QP-RBAW		CLEAR	12-24	1.25

#### Design Features

- Easy installation with just two wires
- Allows for virtually unlimited mounting possibilities with surface, flush, or hood mount
- Delivers exceptional straight on and off-angle performance with either its total internal reflector (TIR) or linear optic technology
- Multiple mounting solutions that eliminate the need for separate parts for surface, hood, and flush mounting
- TIR optics



T: 1800 025 921 | E: [esgpcps@esg.global](mailto:esgpcps@esg.global)