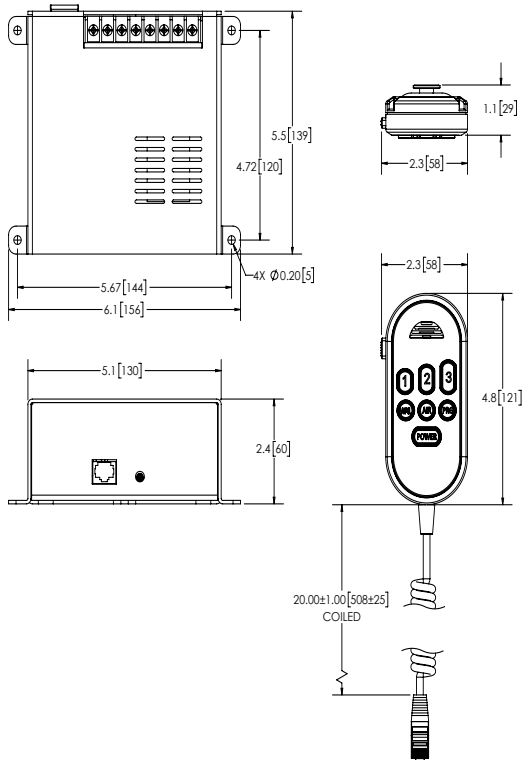


H3COVERT™ SIREN

HANDHELD OR DISCRETE INPUT-WIRE SIREN SYSTEM



The compact design of the H3COVERT™ is a simple and cost-effective solution for undercover units and unmarked vehicles, providing exceptional value and unrivaled dependability. The remote compact siren produces 100-watts of power with exceptional clarity. First responders have complete control over the siren, lights, and public address microphone (H3CS) or discrete switches (H3CS-W, switches not included). The H3COVERT siren has an instant-on function, adjustable amplifier mounting, short-circuit protection, and a remote switch panel. Tones include wail, yelp, hi-lo, hyper-yelp, hyper-lo, whoop, and air horn.



VOLTS	12V
WATTS	100W
DIMS	4.8" H x 2.3" L x 1.1" D 122mm H x 58mm L x 28mm D (control head) 2.4" H x 6.1" L x 5.5" D 61mm H x 155mm L x 140mm D (amplifier)
CERTS	J1849, CA T13, R10
DETAILS	<ul style="list-style-type: none"> Allows for installation in undercover or nontraditional emergency vehicles or when space is limited Provides user with full control of siren, lights, and PA mic (H3CS) or discrete switches (H3CS-W, switches not included) Siren tones: Wail, Yelp, Hi-Lo, Hyper-Lo, Hyper-Yelp, Whoop, Manual Wail, and Air Horn Public address (PA) with built-in noise cancelling mic (H3CS2 only) Easy to install (no software required) Push button programmable siren tones (user selectable features) Supports up to 40A of lighting

MODEL	CONTROLLER
H3CS	Progressive: With Lighting, PA And Tone Control
H3CS-W	Progressive: With Lighting, Tone Control And Input Wire Box