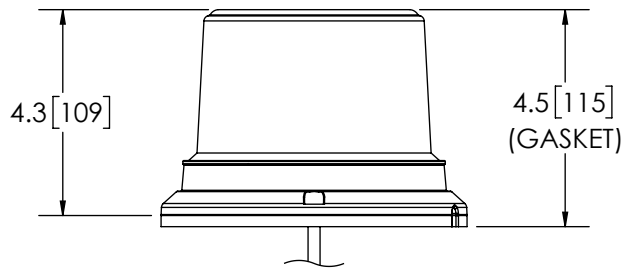
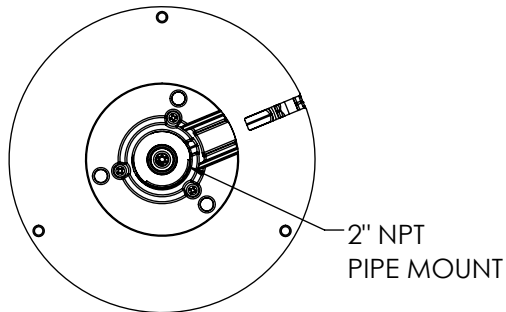
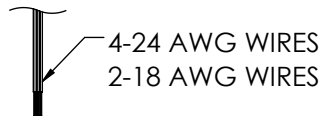


TOP VIEW



FRONT VIEW



BOTTOM VIEW

- NOTES:**
 1. DIMENSIONS IN INCHES[MILLIMETERS (FOR REFERENCE)]

PROPRIETARY AND CONFIDENTIAL INFORMATION
 THIS DRAWING AND THE DESIGN AND OTHER INFORMATION DISCLOSED HEREIN ARE THE PROPERTY OF ELECTRONIC CONTROLS COMPANY AND/OR ITS ECCO SAFETY GROUP AFFILIATES ("CODES") AND IS ISSUED IN CONFIDENCE TO RECIPIENT FOR ENGINEERING INFORMATION PURPOSES ONLY. THIS DRAWING AND THE DESIGN AND OTHER INFORMATION DISCLOSED HEREIN MAY NOT BE USED, COPIED, REPRODUCED OR OTHERWISE DISCLOSED IN PART OR IN WHOLE TO THIRD PARTIES OR USED FOR ANY OTHER PURPOSE WITHOUT PRIOR CODES WRITTEN CONSENT. CODES RESERVES ALL PATENT, COPYRIGHT, TRADEMARK AND OTHER PROPRIETARY RIGHTS TO THIS DOCUMENT, INCLUDING ALL DESIGN, MANUFACTURING, REPRODUCTION, USE AND SALES RIGHTS THERETO. THIS DRAWING IS SUBJECT TO RECALL BY CODES AT ANY TIME, AND YOUR POSSESSION AND/OR USE CONSTITUTES ACCEPTANCE OF THESE TERMS. ©2020 ELECTRONIC CONTROLS COMPANY

REVISION HISTORY		
REV.	DESCRIPTION	DATE
01	PRELIMINARY RELEASE PER EC5857	2020-05-06
A	INITIAL RELEASE PER EC5857	2020-05-28
B	REVISED PER EC5904	2021-01-20

SPECIFICATIONS

- CERTIFICATIONS: SAE J845 (FEB 2019) (SEE CHART); CA Title 13 (SEE CHART)
 Note: Unique components, accessories, and hardware kits are not typically Included in the Product Certification Test Protocols. Unless otherwise Specified, the Product Certifications referred to herein are predicated upon the base product model configuration.
- FLASH MODE: SINGLE ALERT : 75 ± 5 FLASHES PER MINUTE
 QUAD : 75 ± 5 FLASHES PER MINUTE
 DOUBLE : 150 ± 5 FLASHES PER MINUTE
- VOLTAGE (NOMINAL): 12-24 VDC
- VOLTAGE (EXTREME): 10-30 VDC
- CURRENT (PEAK): SEE CHART (@ 12 VDC NOMINAL)
- POWER (MAXIMUM): SEE CHART (@ 12 VDC NOMINAL)
- TEMPERATURE RANGE: -22°F (-30°C) TO 122°F (50°C)
- CONNECTION: 4-24 AWG WIRES, 2-18 AWG WIRES
- MOUNTING: 3 BOLTS; PIPE MOUNT
- BASE MATERIAL: ALUMINUM
- LENS MATERIAL: POLYCARBONATE
- PRODUCT WEIGHT: 2.3 LBS (1.04 Kg)

FGS. PRODUCT CHART

FGS. NO.	COLOR	CURRENT (PEAK) A	POWER (MAX) W	J845 (2019)	TITLE 13
CL199RH	RED	1.8	23.2	CLASS 1: RED	CLASS E
CL199BH	BLUE	1.8	22.8	CLASS 1: BLUE	CLASS E
CL199AH	AMBER	1.8	22.8	CLASS 1: AMBER	-
CL199WH	WHITE	1.8	22.5	CLASS 1: WHITE	-
CL199GH	GREEN	1.7	21.4	CLASS 3: GREEN	-

SCALE 1:4		APPROVALS	DATE	 www.code3esg.com Americas (314) 426-2700 Europe +44 (0)113 239 1111 Asia Pacific +61 (0)7 32937900 CLASS I LED BEACON 12/24V PERM/PIPE MOUNT CUSTOMER PART NO. (SEE CHART)
CAD GENERATED DRAWING DO NOT MANUALLY UPDATE. MODEL REFERENCED:A		DRAWN BY MDH	2020-10-02	
TOLERANCES ARE IN INCHES, AND MILLIMETERS TOLERANCES UNLESS OTHERWISE STATED ARE:		CHECKED ART	2020-10-05	
MILLIMETERS DECIMALS XX. ± 1.0mm XX.X ± 0.5mm		MECH. ENG. TMP	2020-10-16	
INCHES DECIMALS X.X ± 0.1 X.XX ± 0.04 X.XXX ± 0.02		ELEC. ENG. JCT	2020-10-05	
ANGLES ± 0.5°		TEST ENG. BAK	2020-10-05	
FRACTIONS ± 1/64		SALES. ARS	2020-10-05	
THIRD ANGLE PROJECTION				
Electronically Controlled Use Latest Copy		SIZE: A	DWG. NO. CL199XH	REV. B
SHEET 1 OF 1		Project: EC5857	Date Created: 2020-05-06	